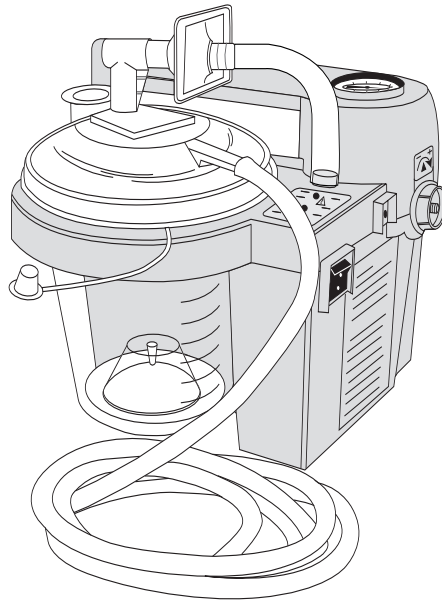


DEVILBISS®



7305 Series
Serie de 7305
Série 7305
7305 Serie
Serie 7305
Model 7305

DeVilbiss® Suction Unit Instruction Guide 7305 Series

CAUTION- Federal (U.S.A.) law restricts this device to sale by or on the order of a physician.
Made in U.S.A.

Guía de Instrucciones para la Unidad de Succión de la Serie 7305 de *DeVilbiss®*

PRECAUCION- La ley federal (EE.UU.) establece que este aparato sólo lo puede vender un médico o por prescripción del mismo.
Hecho en EE.UU.

Guide d'Instructions L'Unite d'Aspiration *DeVilbiss®* Série 7305

ATTENTION- En vertu de la Loi fédérale américaine, la vente de cet appareil n'est autorisée que par un médecin ou sur ordonnance de ce dernier.
Fabriqué aux U.S.A.

DeVilbiss® Absauggerät Bedienungsanleitung 7305 Serie

ACHTUNG- Dieses Gerät darf US-Bundesgesetzen zufolge nur von Ärzten oder auf deren Anweisung hin verkauft werden.
In den USA hergestellt

Aspiratore serie 7305 *DeVilbiss®* Guida dell'utente

ATTENZIONE- La legge federale statunitense limita la vendita di questo dispositivo ai medici o su prescrizione medica.
Prodotto in USA

Gebbruikershandleiding voor *DeVilbiss®* Model 7305 uitzuigapparaat

ATTENTIE- De federale wetgeving in de Verenigde Staten schrijft voor dat dit apparaat uitsluitend mag worden verkocht of voorgeschreven door een arts.
Geproduceerd in de Verenigde Staten

CE 0044

 **SUNRISE
MEDICAL**

TABLE OF CONTENTS

IEC Symbols	2
Important Safeguards	2
International Travel	3
Introduction	3
Important Parts of Your 7305 Series De'Vilbiss® Suction Unit	3
Accessory/Replacement Items	4
Set-Up	4
How to Operate Your 7305 Series De'Vilbiss® Suction Unit	4
Battery Charging	5
Cleaning Instructions	5
Maintenance	6
Troubleshooting	6
Specifications/Classifications	7
Warranty	8
Declaration of Conformity	8
Español Instrucciones	9
Français	16
Deutsch.....	23
Italiano.....	30
Nederlands	37

IEC SYMBOLS

Attention, consult instruction guide



Alternating current



Direct current



Type BF applied part



"On" compressor



"Off" compressor (external battery charging)



Center positive polarity indicator

IPX2 vertically falling drops shall have no harmful effects when the enclosure is tilted at an angle up to 15° on either side of the vertical.

IMPORTANT SAFEGUARDS

When using electrical products, especially when children are present, basic safety precautions should always be followed. Read all instructions before using. Important information is highlighted by these terms:

DANGER– Urgent safety information for hazards that will cause serious injury or death.

WARNING– Important safety information for hazards that might cause serious injury.

CAUTION– Information for preventing damage to the product.

NOTE– Information to which you should pay special attention.

READ ALL INSTRUCTIONS BEFORE USING.

SAVE THESE INSTRUCTIONS

To reduce the risk of electrocution:

1. Do not use while bathing.
2. Do not place or store product where it can fall or be pulled into a tub or sink.
3. Do not place in or drop into water or other liquid.
4. Do not reach for a product that has fallen into water. Unplug immediately.

⚠ WARNING

To reduce the risk of burns, electrocution, fire or injury to persons:

1. Close supervision is necessary when this product is used by, on, or near children or invalids.
2. Use this product only for its intended use as described in this guide.
3. Never operate this product if
 - a. It has a damaged power cord or plug.
 - b. It is not working properly.
 - c. It has been dropped or damaged.
 - d. It has been dropped into water.

Return the product to an authorized Sunrise Medical service center for examination and repair.

4. Keep the power cord away from heated surfaces.
5. Never use while drowsy or asleep.

NOTE– The 7305D series is not factory equipped with an internal rechargeable battery; it may be purchased separately and installed by your Sunrise Medical provider. 7305P series is factory equipped with an internal rechargeable battery and all information regarding battery operation in this guide is applicable.

⚠ DANGER

The DeVilbiss Suction Unit is a vacuum suction device designed for the collection of nonflammable fluid materials in medical applications only. Improper use during medical applications can cause injury or death. For all medical applications:

1. All suctioning should be done in strict accordance with appropriate procedures that have been established by a licensed medical authority.
2. Some attachments or accessories may not fit the tubing supplied. All attachments or accessories should be checked prior to use to assure proper fit.

INTERNATIONAL TRAVEL

The 7305P series is equipped with a switch mode power supply allowing operation on any AC voltage (100-240 VAC, 50/60 Hz). However the correct power cord must be used to connect to adaptable wall power.

NOTE– Check power cord for adaptability before using.

INTRODUCTION

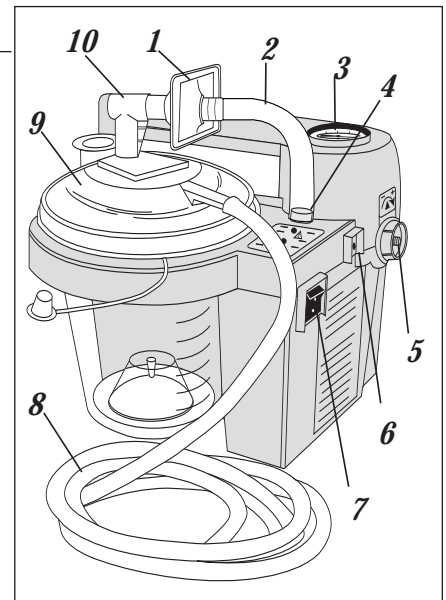
Your DeVilbiss Suction Unit is a compact medical suctioning device which has been designed for reliable, portable operation. Because of the small size, light weight and DC operation, the DeVilbiss Suction Unit is ideal for providing suction in the home, in transport with optional DC cord, or if your model has an internal rechargeable battery, the unit can be operated anywhere. Two collection bottle options give the choice between the standard 800 ml disposable canister or an optional long-term reusable 1,200 ml canister. Following the recommended operating and maintenance procedures outlined in this instruction guide will maximize the life of this product.

Intended Use Statement

The device is to be used to remove fluids from the airway or respiratory support system and infectious materials from wounds. The device creates a negative pressure (vacuum) that draws fluids through disposable tubing that is connected to a collection bottle. The fluids are trapped in the collection bottle for proper disposal. It is for use on the order of a physician only.

IMPORTANT PARTS OF YOUR 7305 SERIES DEVILBISS SUCTION UNIT (refer to diagram)

Description	Factory equipped on models:
1 Bacteria filter (non-sterile)	All models
2 4" Connection tubing	All models -- 8mmID FDA approved Silicone tubing.
3 Vacuum gauge	All models Use only specified connection tubing for replacement.
4 Tubing connector	All models
5 Vacuum regulator knob	All models
6 DC power input (on side)	All models
7 Power switch	All models
8 6' patient tubing	All models -- .25"ID x 6' FDA approved PVC tubing with connecting couplers. Use only specified patient tubing for replacement.
9 800 cc disposable canister w/lid (float shut off incorporated into lid)	All models
10 90° connection elbow	All models
Switch mode adapter (not shown)	All models
Internal rechargeable battery (not shown)	7305P series
Carrying case (not shown)	7305P series



NOTE– This unit complies with electromagnetic compatibility standards as defined in the included Declaration of Conformity.

ACCESSORY/REPLACEMENT ITEMS

The following items can be purchased separately as accessories or replacement items for your 7305 Series DeVilbiss Suction Unit:

Description	Part No.
6' Patient Tubing	6305D-611
12V DC power cord (1each)	7304D-619
1200 ml Reusable collection bottle (16 each)	7305D-601
800 ml Disposable collection bottle (48 each)	7305D-602
Switch mode AC to DC adapter/charger	7305P-613
12V DC high capacity rechargeable battery (1 each)	7305P-614
Carrying case	7305D-606
Replacement gauge	7305D-607
Bacteria filter (non-sterile) (12 pack)	7305D-608
Circuit board (7305P series & converted battery units)	7305P-610
Circuit board (7305D series)	7305D-610
High capacity battery conversion kit (battery, 7305P-610 circuit board & battery tray)	7305P-620
Vacuum gauge test fixture	7304D-636
Hospital grade line cord (120 VAC)	099HD-614
Line cord for US	6710D-609
Line cord for Continental Europe	7305P-631
Filter, 800ml collection bottle, elbow & tubing package	7305D-603
1200ml bottle package	7305D-604

SET-UP

1. Connect either end of the 4" tubing to the tubing connector then connect the other end to the bacteria filter. Ensure that the clear side of the bacteria filter is toward elbow and bottle when installing/re-installing. Do not reverse direction of filter.
2. The bacteria filter should then be connected to the 90° elbow connection, and the 90° connection should be connected to the top of the canister lid where it says <Vacuum>.
3. The 6' patient tubing should be connected to the canister lid at the outlet labeled <Patient>.
4. Please assure that all connections are secure and without leaks before using.
5. Verify that unit is at desired suction level **before** beginning patient suction.

HOW TO OPERATE YOUR 7305 SERIES DEVILBISS SUCTION UNIT

Before connecting the unit to the AC adapter or 12V DC cord, make sure that the power switch located on the side of the unit is in the "Off" position. Select power source desired.

LED Explanations:

L1 - Green– External power supplied to unit from AC power source or DC cord. Illuminated when external power is supplied.

L2 - Yellow– Battery is being charged. Light will go out when battery is fully charged. (7305P Series only)

L3 - Red– Low battery. Seek another power source and charge battery as soon as possible when light remains on continuous. (7305P Series only)

AC OPERATION– Plug the small connector of the AC adapter into the DC power input located on the side of the unit. Plug the AC end into a grounded wall-outlet power source.

NOTE– The power supply may become warm to the touch during charging or running of the unit. This is normal.

12V DC OPERATION– (such as a car lighter receptacle). Plug the small connector of the DC power cord into the DC power input on the side of the unit. Plug the large connector into the 12V DC power receptacle of the automobile.

BATTERY OPERATION– Verify that your unit has an internal rechargeable battery; factory installed on models 7305P series or provider installed on models 7305D series (installed as an option). To ensure proper operation from internal battery, fully charge the battery for 10-17 hours as explained in the Battery Charging section. To operate the unit from an internal rechargeable battery, ensure that no external power sources are plugged into the DC power input on the side of the unit.

Once the power source is selected, simply turn the unit "On" using the power switch located on the side of the unit. The power indicator light (displayed on the top of the unit) will indicate which power source is being used by staying continuously lit when external power is connected.

⚠ WARNING

If the unit does not receive an external power source or the battery does not get recharged immediately, the low battery indicator light will remain on and the performance of the unit will drop off rapidly. Switch to another power source immediately to avoid an interrupted suction procedure.

Adjust the vacuum level from 80 to 550 mm Hg by turning the vacuum regulator knob located on the side of the unit (clockwise to increase vacuum and counter-clockwise to decrease vacuum). The desired level of vacuum can be set by using the gauge located on the top of the unit near the handle. To accurately read the gauge, block the patient end of the hose or cap off the collection bottle and allow the gauge to reach a stable vacuum reading.

NOTE– Gauge is for reference only. If the unit sustains a severe drop, accuracy of the gauge must be checked.

Suction at the patient is automatically obstructed when liquid level reaches the float shut-off located on the underside of the collection bottle lid.

NOTE– Always transport unit with vacuum regulator knob rotated fully clockwise in case unit is dropped.

CAUTION– When automatic float shut-off is activated, contents of the collection bottle should be emptied. Further suctioning could cause damage to the vacuum pump.

CAUTION– Should fluid be aspirated back into the unit, equipment provider servicing is necessary as possible vacuum pump damage may result.

BATTERY CHARGING

On 7305P series, the units are equipped with a factory-installed rechargeable battery. The unit will have a light for low battery and charge indication. On 7305D series, the units are not factory equipped with a rechargeable battery; check with your equipment provider to determine if your unit has been upgraded with a rechargeable battery.

Once you've determined that your unit is equipped with an internal rechargeable battery, connect the unit to the proper AC or DC power source using the AC adapter or DC power cord. The green external power light shall be illuminated. The yellow charge indicator will be illuminated while the battery is charging. Verify that this illuminates when charging begins. As the charge nears a full charge, the yellow LED may flash on and off for several minutes. This is normal.

NOTE– A discharged battery will require 10-17 hours (depending on depth of discharge) of charging to reach a full capacity.

NOTE– Do not connect the AC adapter to an outlet controlled by a switch to ensure power is supplied to unit at all times.

NOTE– Do not connect the DC power cord to an outlet that is not constantly energized.

NOTE– A fully charged battery, on the 7305P series will provide approximately 60 minutes of continuous operation at a zero vacuum level (free flow).

NOTE– If unit is not in use for extended periods, battery should be recharged every 6 months minimum.

CAUTION– Discharging the battery completely will shorten the life of the battery. Do not operate the unit more than a few minutes if the low battery indicator light is lit. Recharge as soon as possible.

NOTE– When charging the battery, the battery charging indicator light will remain lit. If your unit does not hold a charge, please be sure the model you are using has a battery installed prior to returning it to your authorized Sunrise Medical provider or to Sunrise Medical. Verify that the charge light turns on when the external power is applied with the switch in the "Off" position.

NOTE– Units equipped with an internal rechargeable battery contain a sealed lead-acid battery which must be recycled.

CLEANING INSTRUCTIONS**Collection Bottle:**

1. Shut off unit using power switch and allow vacuum to drop. Disconnect power source from the DC input receptacle on the unit.
2. With the collection bottle still in the holder, remove the lid. The bottle can now be taken out of the holder to be emptied.

NOTE– Collection bottle should be emptied and cleaned after each use. The 800ml disposable collection bottle and lid are meant for single-patient use

3. Collection bottles and lids should be thoroughly cleaned after each use by one of the following methods:

All Bottles:

- Wash in a hot water/dishwashing detergent solution and rinse with clean, hot tap water. Then wash in one part vinegar to three parts hot water solution. Rinse with hot tap water and air dry.

1,200ml Reusable Bottle only:

- Wash in a hot water/dishwashing detergent solution and rinse with clean, hot tap water. Then wash with rubbing alcohol and air dry.
- Wash in a hot water/dishwashing detergent solution and rinse with clean, hot tap water. Then wash with a commercial (bacterial-germicidal) disinfectant, follow disinfectant manufacturer's recommended instructions and dilution rates carefully.
- Clean the 1200 ml autoclavable jar, lid assembly, gasket, seal washer, float guide, and float thoroughly with mild soap. Rinse thoroughly with clean water and dry thoroughly. Place parts in autoclave as follows ensuring the parts are not touching:
 - Jar with open end down.

- Float and float guide upright with large ends down.
- Gasket and seal washer can be placed in a gusset pouch prior to autoclaving.

Autoclave for 3 to 5 minute cycle at 270°F (132°C).

In lieu of autoclave sterilization, the above parts can be soaked in an activated dialdehyde solution.

Suction Unit:

1. With the power switch in the “Off” position, disconnect the DeVilbiss Suction Unit from all external power sources.
2. Wipe the housing with a clean cloth and any commercial (bacterial-germicidal) disinfectant.

CAUTION– Do not submerge in water as this will result in damage to the vacuum pump.

Tubing:

1. Disconnect the tubing from the unit.
2. Tubing should be rinsed thoroughly after every use by running hot tap water through it followed by a solution of one part vinegar to three parts hot water.
3. Rinse with hot tap water and air dry.
4. Keep the outer surface of the tubing clean by wiping with a clean, damp cloth.

Carrying Case:

1. Wipe the case using a clean cloth dampened with detergent and/or disinfectant.

MAINTENANCE

Inspect suction tubing and collection bottle for leaks, cracks, etc. before each use.

DANGER

Electric shock hazard. Do not attempt to open or remove cabinet, there are no user-serviceable internal components. If service is required, return unit to a qualified Sunrise Medical provider or an authorized service center. Opening or tampering with the unit will void warranty.

Filter Changing:

1. Change bacteria filter if overflow occurs or every two months, whichever comes first.
2. Remove filter by disconnecting it from suction unit and lid assembly.
3. Replace with a clean DeVilbiss bacteria filter (non-sterile) (7305D-608 12/pack) and remount to suction unit and lid. Additional filters may be purchased from your authorized Sunrise Medical provider.

NOTE– Do not substitute any other material for this bacteria filter. Substitution may lead to contamination or poor performance; use only DeVilbiss® filters.

TROUBLESHOOTING

NOTE– Your DeVilbiss Suction Unit contains no user-serviceable parts. If you believe your unit is not working properly, BEFORE YOU RETURN IT TO THE HOME MEDICAL EQUIPMENT PROVIDER WHERE YOU PURCHASED IT OR TO SUNRISE MEDICAL, please take a few moments to check for these possible causes:

Problem	Action
Unit does not turn on. (Green external power indicator should be illuminated when power is applied.)	<ol style="list-style-type: none"> 1. Check power sources and connections. 2. Ensure wall outlet is live by plugging in a lamp. 3. If running from an internal battery, ensure that your unit has a battery installed. 4. If battery is installed, check that it is fully charged.
Pump runs, but no vacuum.	<ol style="list-style-type: none"> 1. Check that all tubing is connected properly. 2. Check tubing connections for breaks or leaks. 3. Ensure that flow shut-off is not activated. 4. Check for leaks or cracks in bottle assembly.
Low vacuum.	<ol style="list-style-type: none"> 1. Use vacuum adjustment knob to increase vacuum level. 2. Check system for leaks. 3. Push vacuum adjustment knob and then release.
Battery will not hold a charge. (Charge indicator should be illuminated if battery is connected during charge mode.)	<ol style="list-style-type: none"> 1. Ensure that unit is equipped with an internal battery by contacting your Sunrise Medical equipment provider. 2. Verify that charge light turns on. 3. Check electrical connections during charging. 4. Ensure wall outlet is live by plugging in a lamp.

SPECIFICATIONS/CLASSIFICATIONS

Size	H x W x D inches (cm)
7305P & 7305D Series	9.0 x 7.0 x 8.0 (22.9 x 17.8 x 20.3)
Weight	lb. (kg)
7305D Series	3.8 (1.7)
7305P Series	6.3 (2.9)
Electrical Requirements	100-240 V AC 50/60 Hz .75 A max; 12 V DC, 33 W max
Internal Rechargeable Battery	
7305P Series	Factory Equipped
7305D Series	Not Factory Equipped (provider-installed option)
Vacuum Range	
7305P & 7305D Series	80 to 550 mm Hg
Air Flow @ pump inlet:	27 LPM (free flow) typical (may be less when running from internal battery)
Collection Bottle Capacity	
7305 D & P Series	800 ml (cc) Disposable
7305 D & P Series - Optional	1,200 ml (cc) Reusable
Environmental Conditions	
Operating Temperature Range	32°F (0°C) - 104°F (40°C)
Operating Relative Humidity	0-95%
Operating Atmospheric Pressure	10.2 Psi (70 kPa) - 15.4 Psi (106 kPa)
Storage & Transport Temperature Range	-40°F (-40°C) - 158°F (70°C)
Storage & Transport Relative Humidity	0-95%
Storage & Transport Atmospheric Pressure	7.3 Psi (50 kPa) - 15.4 Psi (106 kPa)
Warranty	
7305P Series	Two-years limited, excluding internal battery and collection bottle
7305D Series	Two-years limited, excluding collection bottle
Internal Battery	90-day
Approvals	
7305D & 7305P Series	IEC 601-1; CAN/CSA-C22.2 No. 601.1-M90; UL 60601-1, EN 60601-1-2
7305P meets RTCA/D-160D	DO-160D - section 21 Category M For battery operation only Airline use
Equipment Classifications	
With respect to protection from electric shock	Class I and internally powered
Degree of protection against electric shock	Type BF Applied Parts
Degree of protection against ingress of liquids	IPX2 and ordinary power supply
Mode of Operation	Intermittent Operation: 30 minutes on, 30 minutes off
Equipment not suitable for use in the presence of a flammable anaesthetic mixture with air or nitrous oxide.	
ISO Classification	
7305P Series only - Electrically powered medical suction equipment for field and transport use according to ISO 10079-1 : 1991	
High Flow/High Vacuum	
7305D Series - Electrically powered medical suction equipment for non-transport use according to ISO 10079-1 : 1991	
Sunrise Medical will make available on request circuit diagrams, parts lists, etc.	

TWO-YEAR LIMITED WARRANTY

The compressor portion of the DeVilbiss® Suction Unit 7305P & 7305D Series (excluding internal rechargeable batteries) is warranted to be free from defective workmanship and materials for a period of two years from date of purchase. Internal rechargeable batteries are warranted for 90 days. Any defective part(s) will be repaired or replaced at Sunrise Medical's option if the unit has not been tampered with or used improperly during that period. Make certain that any malfunction is not due to inadequate cleaning or failure to follow the instructions. If repair is necessary, contact your Sunrise Medical Provider or Sunrise Medical Service Department for instructions: **U.S.A. 800-333-4000 or 814-443-4881**, Canada 1-800-263-3390, Europe 44-138-444-6688.

NOTE– This warranty does not cover providing a loaner unit, compensating for costs incurred in rental while said unit is under repair, or costs for labor incurred in repairing or replacing defective part(s).

THERE IS NO OTHER EXPRESS WARRANTY. IMPLIED WARRANTIES, INCLUDING THOSE OF MERCHANTABILITY AND FITNESS FOR A PARTICULAR PURPOSE, ARE LIMITED TO THE DURATION OF THE EXPRESS LIMITED WARRANTY AND TO THE EXTENT PERMITTED BY LAW ANY AND ALL IMPLIED WARRANTIES ARE EXCLUDED. THIS IS THE EXCLUSIVE REMEDY AND LIABILITY FOR CONSEQUENTIAL AND INCIDENTAL DAMAGES UNDER ANY AND ALL WARRANTIES ARE EXCLUDED TO THE EXTENT EXCLUSION IS PERMITTED BY LAW. SOME STATES DO NOT ALLOW LIMITATIONS ON HOW LONG AN IMPLIED WARRANTY LASTS, OR THE LIMITATION OR EXCLUSION OF CONSEQUENTIAL OR INCIDENTAL DAMAGES, SO THE ABOVE LIMITATION OR EXCLUSION MAY NOT APPLY TO YOU.

This warranty gives you specific legal rights, and you may also have other rights which vary from state to state.

Manufacturer's Note

Thank you for choosing a DeVilbiss® Suction Unit. We want you to be a satisfied customer. If you have any questions or comments, please send them to our address on the back cover.

For Service Call Your Authorized Sunrise Medical Provider:

Phone _____

Purchase Date _____

Serial # _____

DECLARATION OF CONFORMITY

Manufacturer: Sunrise Medical
Address: Respiratory Products Division
 100 DeVilbiss Drive
 Somerset, PA 15501-2125 USA

Product Designation: DeVilbiss® Suction Unit
Type/Model: 7305P & 7305D Series

We herewith declare that the above-mentioned product complies with the requirements of EC Directive 93/42/EEC and the following:

Class: IIa, Rule 2

Quality System Standards Applied: IS09001/ISO13485

Notified Body RWTÜV

MDD Annex II Applied

Safety Standards Applied: EN60601-1/IEC 601-1:1988 including A1:1991 and A2:1995
 CAN/CSA 22.2 No. 601.1-M90
 UL 60601-1:2003
 ISO 10079-1:1991

EMC (Electromagnetic Compatibility) Compliance to: EN 60601-1-2 (2001) [All applicable standards available upon request]
 EN55011 Class B

For Battery Operation Only: RTCA/DO-160D, Section 21 (Radiated Emissions), Category M. For Airline Use

Authorized Representative: Sunrise Medical Ltd.
 Sunrise Business Park
 High Street
 Wollaston, West Midlands DY8 4PS
 ENGLAND
 44-138-444-6688



INDICE

Simbolos IEC 9
 Avisos de Precaucion Importantes..... 9
 Viajes Internacionales..... 10
 Introducción..... 10
 Partes Importantes de su Unidad de Succión de la Serie 7305 de DeVilbiss® 10
 Accesorios/Piezas de Repuesto 11
 Preparación 11
 Cómo Operar su Unidad de Succión de la Serie 7305 de DeVilbiss® 11
 Cómo Cargar la Batería..... 12
 Instrucciones de Limpieza 12
 Mantenimiento..... 13
 Guía de Detección y Solución de Problemas..... 13
 Especificaciones/Clasificaciones..... 14
 Garantía..... 15
 Declaración de Conformidad 15

SIMBOLOS IEC



Atención, consulte la guía de instrucciones



Corriente alterna



Corriente continua



Equipo tipo BF



Compresor encendido ("On")



Compresor apagado ("Off") (batería externa cargándose)



Indicador de polaridad positiva central

Las gotas IPX2 que caen verticalmente no tendrán efectos dañinos cuando la caja se incline hasta un ángulo de 15° en cualquier lado con respecto a la vertical.

AVISOS DE PRECAUCION IMPORTANTES

Cuando se usen aparatos eléctricos, especialmente cuando hay niños presentes, siempre se deben seguir precauciones básicas de seguridad. Lea todas las instrucciones antes de usar el aparato. La información importante se señala con estos términos:

PELIGRO– Información de seguridad urgente para situaciones peligrosas que ocasionarán lesiones serias o incluso la muerte.

ADVERTENCIA– Información de seguridad importante para situaciones peligrosas que podrían ocasionar lesiones serias.

PRECAUCION– Información para evitar el daño al aparato.

NOTA– Información a la que debe prestar atención especial.

LEA TODAS LAS INSTRUCCIONES ANTES DE USAR EL APARATO.

GUARDE ESTAS INSTRUCCIONES



PELIGRO

Para reducir el riesgo de electrocución:

1. No lo use cuando esté tomando un baño.
2. No coloque ni guarde el aparato donde se pueda caer o tirar en la bañera o en el lavabo.
3. No lo coloque ni lo tire al agua ni en otro líquido.
4. No trate de tomar el aparato una vez que ha caído al agua. Desenchúfelo inmediatamente.

▲ ADVERTENCIA

Para reducir el riesgo de quemaduras, electrocución, incendio y lesiones personales:

1. Es necesario tener una supervisión cercana en todo momento cuando este aparato se utilice con niños o inválidos o en la cercanía de ellos.
2. Utilice este aparato sólo para el fin que se describe en esta guía.
3. Nunca opere este aparato si.
 - a. Tiene dañado el cordón o la clavija de enchufe.
 - b. No funciona apropiadamente.
 - c. Se ha caído o dañado.
 - d. Se ha caído al agua.
 Retorne el aparato al centro de servicio autorizado Sunrise Medical para que lo examinen y reparen.
4. Mantenga el cordón lejos de las superficies calientes.
5. Nunca lo utilice cuando esté somnoliento o dormido.

NOTA– El modelo de la serie 7305D no viene equipado de fábrica con una batería interna recargable; puede comprarse por separado y ser instalada por su proveedor de Sunrise Medical. Los modelos de las series 7305P vienen equipados de fábrica con una batería interna recargable y se aplica toda la información con respecto al funcionamiento de la batería que aparece en esta guía.

▲ PELIGRO

La unidad de succión de DeVilbiss es un aparato de succión de vacío diseñado para recolectar fluidos no inflamables en aplicaciones médicas solamente. El uso inapropiado durante las aplicaciones médicas puede causar lesiones o incluso la muerte. Para todas las aplicaciones médicas:

1. Toda succión debe hacerse en apego estricto a los procedimientos apropiados que han sido establecidos por una autoridad médica reconocida.
2. Algunos dispositivos o accesorios pueden no ser del tamaño del conducto provisto. Todos los dispositivos o accesorios deben revisarse antes de usar para asegurar que se ajustan bien.

VIAJES INTERNACIONALES

Los modelos de las series 7305P están equipados con suministro eléctrico de conmutador permitiendo el funcionamiento con cualquier voltaje CA (100-240 VCA, 50/60 Hz). Sin embargo debe usarse el cordón eléctrico apropiado para conectarse al tomacorriente adaptable de pared.

NOTA– Verifique la adaptabilidad del cordón eléctrico antes de usar.

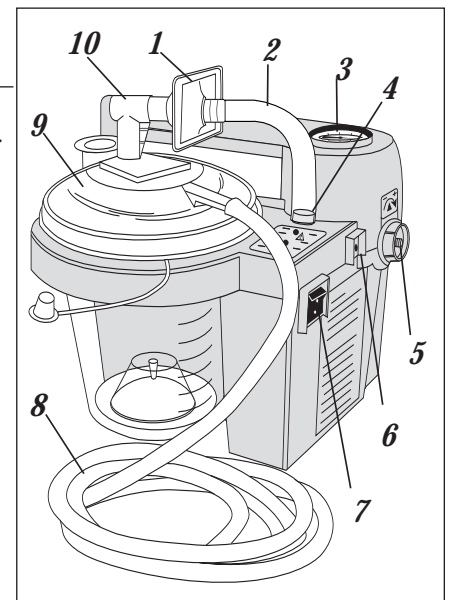
INTRODUCCION

Su Unidad de Succión de DeVilbiss es un aparato de succión compacto médico que se ha diseñado para ofrecer una operación confiable y portátil. Debido a su pequeño tamaño, peso ligero y operación CC, la Unidad de Succión de DeVilbiss es ideal para permitir una succión en el hogar, en el transporte con un cordón opcional de CC, o si su modelo tiene una batería interna recargable, la unidad puede operarse donde sea. Dos opciones de botella de recolección le dan la elección entre un envase desechable estándar de 800 ml o un envase opcional de 1,200 ml reutilizable de larga duración. Al seguir los procedimientos recomendados de operación y mantenimiento descritos en esta guía de instrucciones maximizará la vida útil de este producto.

PARTES IMPORTANTES DE SU UNIDAD DE SUCCIÓN DE LA SERIE 7305 DE DEVILBISS

(Refiérase al diagrama)

Descripción	Equipados en la fábrica en los modelos:
1 Filtro bacteriano (no estéril)	Todos los modelos
2 Tubo de conexión 4 pulgadas (10.16 cm)	Todos los modelos -- Tubos de silicona de 8 mm de Diám. Int. aprobados por la FDA. Use únicamente los tubos de conexión especificados para el reemplazo.
3 Manómetro de vacío	Todos los modelos
4 Conector del tubo	Todos los modelos
5 Perilla del regulador de vacío	Todos los modelos
6 Entrada de corriente CC (al costado)	Todos los modelos
7 Interruptor de corriente	Todos los modelos
8 Tubo para el paciente de 6 pies (183 cm)	Todos los modelos -- Tubos de PVC de 63 mm de Diám. Int. x 1.8 m (0.25 pulg. x 6 pies) aprobados por la FDA con acoplamientos. Use únicamente los tubos de reemplazo especificados para el paciente.
9 Cartucho desechable de 800 cc con tapa (interruptor de flotación incorporado en la tapa)	Todos los modelos
10 Conexión en codo a 90 grados	Todos los modelos
Adaptador de conmutador (<i>no se muestra</i>)	Todos los modelos
Batería interna recargable (<i>no se muestra</i>)	Series 7305P
Estuche portátil (<i>no se muestra</i>)	Series 7305P



NOTA– Esta unidad cumple con las normas de compatibilidad electromagnética tal como se definen en la declaración de conformidad que se adjunta.

ACCESORIOS/PIEZAS DE REPUESTO

Los artículos siguientes pueden comprarse por separado como accesorios o piezas de repuesto para su Unidad de Succión de la Serie 7305 de DeVilbiss:

Número de Parte	Description
6305D-611	Tubo de 6 pies
7304D-619	Cordón de corriente CC de 12V (paquete de 1)
7305D-601	Botella recolectora reutilizable de 1200 ml (paquete de 16)
7305D-602	Botella recolectora de 800 ml (paquete de 48)
7305P-613	Adaptador/cargador de conmutador de CA a CC
7305P-614	Batería recargable de alta capacidad de 12V CC (paquete de 1)
7305D-606	Estuche portátil
7305D-607	Manómetro de repuesto
7305D-608	Filtro bacteriano (no estéril) (paquete de 12)
7305P-610	Tablero de circuitos (de la serie 7305P y las unidades convertidas de baterías)
7305D-610	Tablero de circuitos (de la serie 7305D)
7305P-620	Juego de conversión a batería de alta capacidad (batería, tablero de circuitos 7305P-610 y bandeja de batería)
7304D-636	Montaje para pruebas de manómetro de vacío.
099HD-614	Cable de grado hospital (120 VAC)
7305D-603	Empaque de Botella recolectora de 800ml, Filtro, Codo, y Tubo
7305D-604	Empaque de Botella de 1200ml
6710D-609	Cordón eléctrico para EE.UU.
7305P-631	Cordón eléctrico para Europa Continental

PREPARACIÓN

1. Conecte cualquier extremo del tubo de 4 pulgadas (10.16 cm) a la conector del tubo y después conecte el otro extremo al filtro bacteriano. Asegúrese que el lado claro del filtro bacteriano apunte hacia el codo y la botella cuando lo instale / reinstale. No invierta la dirección del filtro.
2. El filtro para bacterias debe entonces ser conectado a la conexión de codo a 90 grados y la conexión de codo a 90 grados deberá entonces ser conectada al tope de la tapa del recipiente donde dice <Vacuum> (vacío).
3. El tubo para el paciente de 6 pies. (183 cm) deberá ser conectado en la salida del tope de la tapa que dice <Patient> (paciente).
4. Por favor asegúrese que todas las conexiones estén aseguradas y sin fugas antes de utilizarlo.
5. Verifique que la unidad se encuentre al nivel deseado de succión antes de empezar a succionar al paciente.

COMO OPERAR SU UNIDAD DE SUCCIÓN DE LA SERIE 7305 DE DEVILBISS

Antes de conectar la unidad al adaptador o al cordón de 12V CC, asegúrese que el interruptor de corriente ubicado a un costado de la unidad esté en la posición "Off". Elija la fuente de corriente deseada.

EXPLICACIONES DE LAS LUCES LED:

L1 - Verde– Se ilumina cuando se suministra la corriente externa a la unidad de una fuente de corriente CA o de un cordón CC.

L2 - Amarilla– La batería se está cargando. La luz se apagará cuando la batería esté completamente cargada.

L3 - Roja– Batería baja. Busque otra fuente de corriente y cargue la batería lo más pronto posible cuando la luz permanezca encendida de manera continua.

OPERACION CA– Enchufe el conector pequeño del adaptador CA en la entrada de corriente CC ubicada a un costado de la unidad. Enchufe el extremo de CA a una fuente de corriente de un tomacorriente conectado a tierra.

NOTA– El sistema eléctrico podría calentarse al tacto durante la carga o funcionamiento de la unidad. Esto es normal.

OPERACION CON 12V CC– (como los receptáculos de encendedor de automóvil). Enchufe el conector pequeño del cordón de corriente CC en la entrada de corriente CC a un costado de la unidad. Enchufe el conector grande al receptáculo de corriente de 12V CC del automóvil.

OPERACION CON BATERIA– Verifique que su unidad tenga una batería interna recargable; viene instalada de fábrica en los modelos de las series 7305P o instalada por el proveedor en los modelos de la serie 7305D (instalación opcional). Para asegurar la operación apropiada de la batería interna, cargue completamente la batería de 10 a 17 horas como se explica en la sección de Cómo Cargar la Batería. Para operar la unidad con una batería interna recargable, asegúrese que no esté conectada ninguna fuente de corriente externa a la entrada de corriente CC a un costado de la unidad.

Una vez que se elige la fuente de corriente, simplemente encienda la unidad poniendo el interruptor de corriente ubicado a un costado de la unidad en "On". La luz indicadora de corriente (que está en la parte superior de la unidad) indicará la fuente de corriente que se está usando al estar encendida continuamente cuando esté conectada a la fuente externa.

⚠ ADVERTENCIA

Si la unidad no recibe una fuente de corriente externa o si la batería no se recarga inmediatamente, la luz indicadora de batería baja permanecerá encendida y el funcionamiento de la unidad se reducirá rápidamente. Cambie a otra fuente de corriente inmediatamente para evitar que se interrumpa el proceso de succión.

Ajuste el nivel de vacío de 80 a 550 mm Hg girando la perilla reguladora de vacío ubicada a un costado de la unidad (en sentido de las manecillas del reloj para aumentar el vacío y en sentido contrario de las manecillas del reloj para disminuir el vacío). El nivel deseado de vacío puede fijarse usando el manómetro ubicado en la parte superior de la unidad cerca del mango. Para leer precisamente el manómetro, bloquee el extremo de la manguera del paciente o tapa de la botella recolectora y deje que el manómetro alcance una lectura de vacío estable.

NOTA– El manómetro sólo se usa como referencia. Si la unidad sufre una caída severa, se debe verificar la precisión del manómetro.

La succión en el paciente se detiene automáticamente cuando el nivel del líquido alcanza el apagador del flotador ubicado en el lado inferior de la tapa de la botella recolectora.

NOTA– Cuando vaya a transportar la unidad gire por completo la perilla del regulador de vacío en sentido de las manecillas del reloj por si la unidad se cae.

PRECAUCION– Cuando se activa el apagador del flotador automático, debe vaciarse el contenido de la botella recolectora. Una succión adicional podría hacer daño a la bomba de vacío.

PRECAUCION– Si se aspirara el fluido de regreso en la unidad sería necesario que el proveedor del equipo le diera servicio ya que la bomba podría dañarse.

COMO CARGAR LA BATERIA

En los modelos de las series 7305P, las unidades vienen equipadas con una batería recargable instalada en la fábrica. La unidad tendrá una luz para indicar si la batería está baja y si se está cargando.

En los modelos de la serie 7305D, las unidades no vienen equipadas de fábrica con una batería recargable; consulte con su proveedor de equipo para determinar si su unidad se ha equipado con una batería recargable.

Una vez que haya determinado si su unidad está equipada con una batería interna recargable, conecte la unidad a una fuente de corriente CA apropiada a una fuente de corriente CD usando un adaptador CA o cable eléctrico CD. La luz verde de corriente externa se encenderá. El indicador amarillo de carga se encenderá cuando la batería se esté cargando. Verifique que este indicador se enciende cuando comience a cargarse. Cuando la carga sea casi completa, la luz amarilla destellará intermitentemente durante varios minutos. Esto es normal.

NOTA– Una batería descargada requerirá de 10 a 17 horas (dependiendo del grado de descarga) de carga para alcanzar una capacidad completa.

NOTA– No conecte la fuente de corriente CA a un tomacorriente controlado por un interruptor para asegurar que la corriente se suministra a la unidad en todo momento.

NOTA– No conecte el cable eléctrico CD a un tomacorriente que no tenga corriente todo el tiempo.

NOTA– Una batería completamente cargada, en el modelo de la serie 7305P proporcionará aproximadamente 60 minutos de operación continua al nivel de vacío cero (sin flujo).

NOTA– Si la unidad no se usa por periodos extendidos, deberá recargarse la batería cada 6 meses como mínimo.

PRECAUCION– El descargar la batería por completo acortará la vida de la misma. No opere la unidad más de pocos minutos si la luz indicadora de batería baja está encendida. Recargue la batería tan pronto como sea posible.

NOTA– Cuando cargue la batería, la luz indicadora de cargado de batería permanecerá encendida. Si su unidad no mantiene una carga, por favor asegúrese que el modelo que está usando tenga una batería instalada antes de regresarla a su proveedor autorizado de Sunrise Medical o a Sunrise Medical. Verifique que la luz de cargado se enciende cuando aplica corriente externa con el interruptor en posición "Off".

NOTA– Las unidades equipadas con una batería interna recargable contienen una batería de plomo ácido sellada que se debe reciclar.

INSTRUCCIONES DE LIMPIEZA

Botella Recolectora:

1. Apague la unidad por medio del interruptor de corriente y deje que el vacío disminuya. Desconecte la fuente de corriente del receptáculo de entrada CC de la unidad.
2. Con la botella recolectora aún en el soporte, quite la tapa. La botella puede ahora quitarse del soporte para vaciarse.

NOTA– La botella recolectora debe vaciarse y limpiarse después de cada uso. El recipiente recolector desechable de 800 ml y la tapa son para uso de un solo paciente.

3. Los recipientes recolectores y las tapas se deben lavar bien después de cada uso, con alguno de los siguientes métodos:

Todos los Botellas:

- Lave con una solución de agua caliente y detergente lavaplatos y enjuague con agua limpia y caliente del grifo. Luego lave con una solución de una parte de vinagre y tres partes de agua caliente. Enjuague con agua caliente del grifo y deje secar al aire.

Sólo las Botellas 1200 ml reutilizable:

- Lave con una solución de agua caliente y detergente lavaplatos y enjuague con agua limpia y caliente del grifo. Luego lave con alcohol y deje secar al aire.
- Lave con una solución de agua caliente y detergente lavaplatos y enjuague con agua limpia y caliente del grifo. Luego, lave con un desinfectante (germicida-bacteriano) comercial, siga cuidadosamente las instrucciones y las proporciones de disolución recomendadas por el fabricante del desinfectante.

- Lave cuidadosamente el envase de 1,200 ml para autoclave, el conjunto de la tapa, la junta, la arandela de cierre, la guía de flotación y el flotador con jabón suave. Enjuague con agua limpia y seque completamente. Coloque las piezas en el autoclave de la manera siguiente, asegurándose de que no estén en contacto entre sí:
 - El envase con la abertura hacia abajo.
 - El flotador y la guía de flotación verticales con los extremos grandes hacia abajo.
 - La junta y la arandela de cierre pueden colocarse en una bolsa de fuelle antes de colocar en la autoclave.

Desinfecte en la autoclave durante un ciclo de 3 a 5 minutos a 132° C (270° F).

En lugar de esterilizar en autoclave, las piezas anteriores pueden sumergirse en una solución activada de dialdehído.

Unidad de Succión:

1. Con el interruptor de corriente en la posición “Off”, desconecte la Unidad de Succión de DeVilbiss de fuentes de corriente externas.
2. Limpie la caja con un paño limpio y un desinfectante (germicida-bacteriano) comercial.

PRECAUCION– No sumerja en agua ya que esto dañaría la bomba de vacío.

Conductos:

1. Desconecte el conducto de la unidad.
2. Se debe enjuagar bien el conducto después de cada uso haciéndole pasar agua caliente del grifo seguido de una solución de una parte de vinagre con tres partes de agua caliente.
3. Enjuague con agua caliente del grifo y deje secar al aire.
4. Mantenga la superficie exterior del conducto limpia usando un paño limpio y humedecido.

Estuche Portátil:

1. Limpie el estuche portátil con un paño limpio humedecido con detergente y / o desinfectante.

MANTENIMIENTO

Antes de cada uso revise que el conducto de succión y la botella recolectora no tengan fugas, cuarteaduras, etc.



Riesgo de descargas eléctricas. No trate de abrir ni quitar la cubierta, no tiene componentes que requieran servicio por parte del usuario. Si se requiere servicio, regrese la unidad a un proveedor calificado Sunrise Medical o a un centro de servicio autorizado. El abrir o alterar la unidad invalidará la garantía.

Como Cambiar el Filtro:

1. Cambie el filtro bacteriano si ocurre desbordamiento o cada dos meses, lo que ocurra primero.
2. Quite el filtro desconectándolo del ensamblaje de la unidad de succión y la tapa.
3. Coloque un filtro bacteriano (no estéril) limpio de DeVilbiss (7305D-608, paquete de 12) y vuelva a colocar la unidad de succión y la tapa. Puede comprar filtros adicionales de su proveedor autorizado de Sunrise Medical.

NOTA– No sustituya con ningún otro material este filtro bacteriano. La sustitución puede hacer que la unidad se contamine o funcione deficientemente; utilice únicamente los filtros DeVilbiss®.

GUÍA DE DETECCIÓN Y SOLUCIÓN DE PROBLEMAS

NOTA– Su Unidad de Succión de DeVilbiss no tiene componentes que requieran servicio por parte del usuario. Si cree que su unidad no está funcionando apropiadamente, ANTES DE REGRESARLA AL PROVEEDOR DEL EQUIPO MEDICO PARA EL HOGAR DONDE LA COMPRO O A SUNRISE MEDICAL, por favor sírvase tomar un momento para revisar estas posibles causas:

Problema	Acción
La unidad no se enciende. (el indicador verde de corriente externa debe encenderse cuando se aplica la corriente.)	<ol style="list-style-type: none"> 1. Revise las fuentes de corriente y las conexiones. 2. Asegúrese que el tomacorriente de pared tiene corriente conectando una lámpara. 3. Si está funcionando por medio de una batería interna, asegúrese que su unidad la tiene instalada. 4. Si la batería está instalada, revise que esté completamente cargada.
La bomba funciona, pero no hace vacío.	<ol style="list-style-type: none"> 1. Revise que todos los conductos estén conectados apropiadamente. 2. Revise que las conexiones de los conductos no tengan fugas ni estén dobladas. 3. Asegúrese que el apagador del flotador no esté activado. 4. Revise que el ensamblaje de la botella no tenga fugas ni cuarteaduras.
Vacío bajo.	<ol style="list-style-type: none"> 1. Utilice la perilla de ajuste de vacío para aumentar el nivel de vacío. 2. Revise que el sistema no tenga fugas. 3. Oprima la perilla de ajuste de vacío y luego suéltela.
La batería no almacena carga. (debe encenderse el indicador de cargado si la batería está conectada durante el modo de cargado.)	<ol style="list-style-type: none"> 1. Asegúrese que la unidad esté equipada con una batería interna preguntándole a su proveedor de equipo Sunrise Medical. 2. Verifique que se encienda la luz de cargado. 3. Revise las conexiones eléctricas durante el cargado. 4. Asegúrese que el tomacorriente de pared tiene corriente conectando una lámpara.

ESPECIFICACIONES/CLASIFICACIONES

Tamaño	H x A x P pulg. (cm)
Serie 7305P y 7305D	.9.0 x 7.0 x 8.0 (22.9 x 17.8 x 20.3)
Peso	lb. (kg)
Serie 7305D	.3.8 (1.7)
Serie 7305P	.6.3 (2.9)
Requerimientos Eléctricos	.100-240 V AC 50/60 Hz .75 A max; 12 V DC, 33 W max
Batería Recargable Interna	
Serie 7305P	.Equipada de Fábrica
Serie 7305D	.No Equipada de Fábrica (opción de instalación por proveedor)
Rango de Vacío	
7305P y D	.80 a 550 mm Hg
Flujo de Aire @ entrada de la bomba:	.27 LPM (flujo libre) típico (puede ser menor cuando se opera con la batería interna)
Capacidad de Colección de Botella	
Serie 7305 D y P	.800 ml (cc) Desechable
Serie 7305 D y P - Opcional	.1,200 ml (cc) Reutilizable
Condiciones Ambientales	
Rango de Temperatura de Operación	.32° F (0° C) - 104° F (40° C)
Humedad Relativa de Operación	.0-95%
Presión Atmosférica de Operación	.10.2 Psi (70 kPa) - 15.4 Psi (106 kPa)
Rango de Temperatura de Almacenamiento y Transporte	-.40° F (-40° C) - 158° F (70° C)
Humedad Relativa de Almacenamiento y Transporte	.0-95%
Presión Atmosférica de Almacenamiento y Transporte	.7.3 Psi (50 kPa) - 15.4 Psi (106 kPa)
Garantía	
Serie 7305P	.Dos años limitada, excluyendo batería interna y botella recolectora
Serie 7305D	.Dos años limitada, excluyendo botella recolectora
Batería Interna	.90 días
Aprobaciones	
Serie 7305D y 7305P	.IEC 601-1; CAN/CSA-C22.2 No. 601.1-M90; UL 60601-1, EN 60601-1-2
7305P cumple RTCA/D-160DS	.DO-160D - sección 21 Categoría M Sólo para operación con batería Uso de tubería de aire
Clasificación del Equipo	
Con respecto a la protección contra descargas eléctricas	.Clase I y con corriente interna
Grado de protección contra descargas eléctricas	.Equipo Tipo BF
Grado de protección contra el ingreso de líquidos	.IPX2 y suministro de corriente ordinario
Modo de Operación	.Operación Intermitente: 30 minutos encendida, 30 minutos apagada
El equipo no es adecuado para usarse en presencia de mezclas de anestésicos inflamables y aire u óxido nitrosos	
Clasificación ISO	
Sólo para la Serie 7305P - Equipo médico de succión eléctrico es para uso en el sitio y transporte en conformidad con ISO 100179-1 : 1991	
Alto Flujo / Alto Vacío	
Series 7305D - El equipo médico de succión eléctrico no es para uso en transporte en conformidad con ISO 100179-1 : 1991	
Sunrise Medical suministrar los diagramas de circuitos, listas de partes, etc., cuando se los soliciten.	

GARANTÍA LIMITADA DE DOS AÑOS

La parte del compresor de los modelos de las Series 7305P y 7305D de la Unidad de Succión de DeVilbiss® (con excepción de las baterías internas recargables) está garantizada contra cualquier defecto de mano de obra y de material por un periodo de dos años a partir de la fecha de compra. Las baterías internas recargables están garantizadas por 90 días. Cualquier parte(s) defectuosa(s) será(n) reparada(s) o sustituida(s) a criterio de Sunrise Medical si la unidad no ha sido alterada ni manipulada indebidamente en ese periodo de tiempo. Cerciórese que cualquier funcionamiento defectuoso no sea el resultado de una limpieza inadecuada ni se deba a una deficiencia en el seguimiento de las instrucciones. Si la reparación es necesaria, contacte a un Proveedor Autorizado de Sunrise Medical o al Departamento de Servicio de Sunrise Medical: **EE.UU. 800-333-4000**, Canadá 1-800-263-3390, Europa 44-138-444-6688.

NOTA– Esta garantía no cubre el préstamo de una unidad, la compensación por los costos de renta mientras la unidad esté en reparación ni los costos de mano de obra en los que se incurra para reparar o sustituir la(s) parte(s) defectuosa(s).

NO HAY OTRA GARANTIA EXPRESA. LAS GARANTIAS IMPLICITAS, INCLUYENDO AQUELLAS DE COMERCIABILIDAD Y AJUSTE PARA UN PROPOSITO PARTICULAR ESTAN LIMITADAS A LA DURACION DE LA GARANTIA LIMITADA EXPRESA Y EN LA MEDIDA QUE LA LEY LO PERMITA SE EXCLUYEN CUALQUIERA Y TODAS LAS GARANTIAS IMPLICITAS. ESTA ES LA SOLUCION Y RESPONSABILIDAD EXCLUSIVAS PARA DAÑOS CONSECUENTES O INCIDENTALES BAJO CUALQUIERA Y TODAS LAS GARANTIAS QUE SE EXCLUYEN EN LA MEDIDA QUE LA EXCLUSION SEA PERMITIDA POR LA LEY. ALGUNOS ESTADOS NO PERMITEN LIMITACIONES EN LA DURACION DE LA GARANTIA IMPLICITA O EN LA LIMITACION O EXCLUSION DE DAÑOS CONSECUENTES O INCIDENTALES, DE TAL FORMA QUE LA LIMITACION O EXCLUSION ARRIBA MENCIONADA PUEDE NO APLICARSE A UD.

Esta garantía le proporciona derechos legales específicos, y puede tener otros que varían de estado a estado.

Nota Del Fabricante

Le agradecemos su preferencia por la Unidad de Succión de DeVilbiss®. Deseamos que quede satisfecho. Si tiene alguna pregunta o comentario que hacernos, por favor sírvase enviarlos a nuestra dirección que aparece al reverso.

Para solicitar Servicio, Llame a su Proveedor Autorizado de Sunrise Medical:

Teléfono _____
Fecha de compra _____
No. de serie _____

DECLARACION DE CONFORMIDAD

Fabricante: Sunrise Medical
Dirección: Respiratory Products Division
100 DeVilbiss Drive
Somerset, PA 15501 EE.UU.

Designación de Producto: Unidad de Succión de DeVilbiss®

Tipo, Modelo: Series 7305P y 7305D

Nosotros por este medio declaramos que el producto arriba mencionado cumple con los requerimientos de la Directiva de EC 93/42/EEC y con lo siguiente:

Clase: IIa, Norma 2

Normas de Calidad del Sistema Aplicadas: ISO9001/ISO13485

Corporación RWTÜV Notificada**Anexo MDD II Aplicado**

Normas de Seguridad Aplicadas: EN60601-1/IEC 601-1:1988 incluido A1:1991 y A2:1995
CAN/CSA 22.2 No. 601.1-M90
UL 60601-1:2003
ISO 10079-1:1991

Cumplimiento de EMC (Compatibilidad Electromagnética) con: EN60601-1-2 (2001) [Todas las normas vigentes se encuentran a su disposición.]
EN55011 Clase B

Sólo para Operación con Batería: RTCA/DO-160D, Sección 21 (Emisiones radiadas), Categoría M. para uso en aerolínea.

Representante autorizado: Sunrise Medical Ltd
Sunrise Business Park
High Street
Wollaston, West Midlands DY8 4PS
INGLATERRA
44-138-444-6688



TABLE DES MATIÈRES

Symboles CEI.....	16
Consignes de sécurité importantes.....	16
Voyage à l'Étranger.....	17
Introduction.....	17
Pièces Importantes de l'Unité d'Aspiration Série 7305 De'Vilbiss®.....	17
Accessoires/Pièces de Rechange.....	18
Réglage.....	18
Mode d'Emploi de l'Unité d'Aspiration Série 7305 De'Vilbiss®.....	18
Pour Charger la Batterie.....	19
Instructions de Nettoyage.....	19
Maintenance.....	20
Dépannage.....	20
Spécifications/Classifications.....	21
Garantie.....	22
Déclaration de Conformité.....	22

SYMBOLES CEI

Attention, consulter le guide d'instructions



Courant alternatif



Courant continu



Partie appliquée de type BF



"Marche" du compresseur



"Arrêt" du compresseur (Chargement de la batterie)



Voyant de polarité positive de centre

IPX2 Les gouttes tombant verticalement n'auront pas d'effets nuisibles lorsque l'enceinte est inclinée à un angle de 15° d'un côté ou de l'autre de la verticale.

CONSIGNES DE SECURITE IMPORTANTES

Lors de l'utilisation d'appareils électriques, plus particulièrement en présence d'enfants, il faut impérativement suivre des consignes de sécurité fondamentales. Lire les instructions dans leur intégralité avant toute utilisation. Les informations importantes sont soulignées de la façon suivante:

DANGER– Information de sécurité urgente concernant les risques qui entraînent de graves blessures corporelles voire la mort.

AVERTISSEMENT– Importante information de sécurité concernant les risques qui risquent d'entraîner de graves blessures corporelles.

ATTENTION– Information visant à éviter d'endommager le produit.

REMARQUE– Information à laquelle il faut prêter une attention particulière.

LIRE LES INSTRUCTIONS DANS LEUR INTEGRALITE AVANT TOUTE UTILISATION.

CONSERVER CES INSTRUCTIONS**▲ DANGER**

Pour diminuer tout risque d'électrocution :

1. Ne pas utiliser ce produit en prenant un bain.
2. Ne pas placer ni entreposer ce produit dans un endroit où il pourrait tomber dans une baignoire ou un lavabo.
3. Ne pas placer ni faire tomber dans l'eau ou tout autre liquide.
4. Ne pas toucher un produit qui serait tombé dans l'eau. Débrancher immédiatement.

▲ AVERTISSEMENT

Pour diminuer tout risque de brûlures, d'électrocution, d'incendie ou de blessures corporelles :

1. Surveiller de près lorsque ce produit est utilisé par ou sur des enfants ou des invalides ou à leur proximité.
 2. Utiliser ce produit uniquement comme prévu comme il l'est indiqué dans ce guide.
 3. Ne jamais faire fonctionner ce produit dans les situations suivantes:
 - a. Le cordon d'alimentation ou la fiche est endommagé(e).
 - b. Il ne fonctionne pas correctement.
 - c. On a fait tomber le produit ou celui-ci est endommagé.
 - d. Ce produit est tombé dans l'eau.
- Retourner ce produit au centre de réparation agréé Sunrise Medical pour toute inspection et réparation.
4. Tenir le cordon d'alimentation à l'écart des surfaces chauffées.
 5. Ne jamais utiliser en cas de somnolence ou d'assoupissement.

REMARQUE– Le modèle Série 7305D n'est pas équipé en usine d'une batterie rechargeable interne; celle-ci peut s'acheter séparément et être installée par un fournisseur Sunrise Medical. Les modèles Séries 7305P sont équipés en usine d'une batterie rechargeable interne et toutes les informations concernant son fonctionnement figurant dans ce guide sont applicables.

▲ DANGER

L'unité d'aspiration DeVilbiss est un dispositif d'aspiration conçu pour recueillir des matières liquides ininflammables dans le cadre des applications médicales uniquement. Un usage abusif dans le cadre des applications médicales risque d'entraîner des blessures corporelles voire la mort. Pour toutes les applications médicales:

1. Toute aspiration doit être effectuée en stricte conformité avec les procédures appropriées qui ont été établies par une autorité médicale homologuée.
2. Certains attachements ou accessoires risquent de ne pas s'adapter sur les tubes fournis. Vérifier l'ensemble des attachements ou accessoires avant toute utilisation pour vérifier leur bonne adaptabilité.

VOYAGE À L'ÉTRANGER

Le Série 7305P es équipées d'un sélecteur d'alimentation leur permettant de fonctionner sur n'importe quelle tension AC (100-240 VAC, 50/60 Hz). Néanmoins, il faut tout de même utiliser le cordon d'alimentation correct pour pouvoir le brancher dans la prise murale appropriée.

REMARQUE– Vérifier l'adaptabilité du cordon d'alimentation avant toute utilisation.

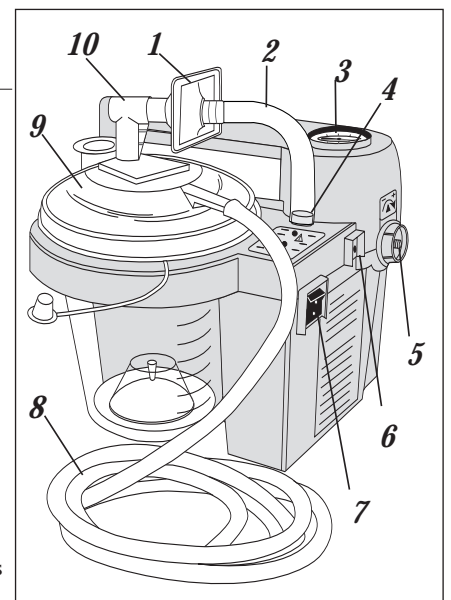
INTRODUCTION

Cette unité d'aspiration DeVilbiss est un dispositif d'aspiration médicale compact qui a été conçu pour être fiable et portable. En raison de sa petite taille, de sa légèreté et de son fonctionnement sur secteur DC, l'unité d'aspiration DeVilbiss convient parfaitement à l'aspiration à domicile, dans le transport grâce à son cordon DC facultatif ou si le modèle est muni d'une batterie rechargeable interne, l'unité peut fonctionner n'importe où. Deux options de flacons collecteurs offrent le choix entre le récipient jetable standard de 800 ml ou un récipient réutilisable à long terme facultatif de 1.200 ml. Suivre les procédures opérationnelles et de maintenance recommandées soulignées dans ce guide d'instructions prolongera au maximum la vie de ce produit.

PIÈCES IMPORTANTES DE L'UNITÉ D'ASPIRATION SÉRIE 7305 DEVILBISS

(Se reporter au diagramme)

Désignation	Equipé en usine sur les modèles
1 Filtre bactérien (non-stérile)	Tous les modèles
2 Tuyau de 10,16 cm (4 inches)	Tous les modèles -- Tubes en silicone homologués FDA de 8 mm de DI. N'utilisez pour le remplacement que des tubes adaptés à la connexion.
3 Vacuomètre	Tous les modèles
4 Raccord de tube	Tous les modèles
5 Bouton régulateur de dépression	Tous les modèles
6 Arrivée secteur DC (sur le côté)	Tous les modèles
7 Commutateur d'alimentation	Tous les modèles
8 Tuyau de 1,82 m (6 feet) pour patient	Tous les modèles -- Tubes en chlorure de polyvinyle homologués FDA de 6,3 mm DI x 1,8 m (0,25 po DI x 6 pi) avec raccords. N'utilisez pour le remplacement que les tubes spécifiés pour le patient.
9 Couvercle 800cc avec récipient (flotteur incorporé au couvercle)	Tous les modèles
10 Coude raccordement 90°	Tous les modèles
Adaptateur sélecteur (<i>non montré</i>)	Tous les modèles
Batterie rechargeable interne (<i>non montré</i>)	Séries 7305P
Mallette de transport (<i>non montré</i>)	Séries 7305P



REMARQUE– Cette unité est conforme aux normes de compatibilité électromagnétique telles qu'elles sont définies dans la déclaration de conformité ci-jointe.

ACCESSOIRES/PIÈCES DE RECHANGE

Les articles suivants peuvent être achetés séparément comme accessoires ou pièces de rechange pour l'Unité d'aspiration Série 7305 DeVilbiss:

Référence	Désignation
6305D-611	Tuyaux de 6 diamètre
7304D-619	Cordon d'alimentation 12 V DC (1/paquet)
7305D-601	Flacon collecteur réutilisable de 1.200 ml (16/paquet)
7305D-602	Flacon collecteur de 800 ml (48/paquet)
7305P-613	Adaptateur/chargeur sélecteur de mode AC à DC (1/paquet)
7305P-614	Batterie rechargeable à grand débit 12 V DC (1/paquet)
7305D-606	Mallette de transport
7305D-607	Jauge de rechange
7305D-608	Filtre bactérien (non-stérile) (12/paquet)
7305P-610	Plaquette de circuit (Série 7305P et unités à batterie convertie)
7305D-610	Plaquette de circuit (Série 7305D)
7305P-620	Kit de conversion de batterie à grand débit (batterie, plaquette de circuit 7305P-610 et bac de batterie)
7304D-636	Dispositif de test de vacuomètre
099HD-614	Fil électronique de la catégorie d'hôpital (120 VAC)
7305D-603	Ensemble flacon collecteur de 800ml, filtre, coude, et tube
7305D-604	Ensemble bouteille de 1200ml
6710D-609	Cordon d'alimentation pour USA
7305P-631	Cordon d'alimentation pour l'Europe continentale

RÉGLAGE

1. Brancher l'une ou l'autre des extrémités du raccord de tuyau de 10,16 cm (4 in) sur raccord de tube, puis brancher l'autre extrémité sur le filtre biologique. S'assurer lors de l'installation que la partie claire du filtre soit dirigée vers la bouteille. Ne pas inverser la direction du filtre.
2. Le filtre biologique doit être ensuite branché sur le raccord coudé 90° qui doit être branché à son tour sur le dessus du couvercle du récipient portant l'indication "vacuum".
3. Le tuyau de 1, 82 (6 foot) doit être branché sur le couvercle du récipient à la sortie portant l'indication "patient".
4. Bien s'assurer de la fixation de tous les branchements et de l'absence de fuites avant toute utilisation.
5. Vérifier que le niveau d'aspiration désiré soit bien réglé avant de commencer l'aspiration au niveau du patient.

MODE D'EMPLOI DE L'UNITÉ D'ASPIRATION SÉRIE 7305 DEVILBISS

Avant de brancher l'unité à l'adaptateur AC ou au cordon 12 VDC, veiller à ce que le commutateur d'alimentation situé sur le côté de l'unité se trouve en position "Arrêt". Sélectionner la source d'alimentation désirée.

EXPLICATIONS CONCERNANT LES DEL:

- L1 - Verte**– Alimentation externe fournie à l'unité de la source d'alimentation AC ou du cordon DC. Allumée avec alimentation externe fournie.
- L2 - Jaune**– La batterie est en cours de chargement. Le voyant s'éteint lorsque la batterie est complètement chargée.
- L3 - Rouge**– Batterie déchargée. Rechercher une autre source d'alimentation et charger la batterie aussi rapidement que possible lorsque le voyant reste allumé en permanence.

FONCTIONNEMENT SUR SECTEUR AC– Brancher le petit connecteur de l'adaptateur AC dans l'arrivée du secteur DC sur le côté de l'unité. Brancher l'extrémité AC dans une source d'alimentation de prise de terre murale.

REMARQUE– Le boîtier d'alimentation peut devenir chaud pendant le chargement ou la mise en service de l'appareil. C'est normal.

FONCTIONNEMENT SUR SECTEUR 12 VDC– (comme un allume-cigares de voiture). Brancher le petit connecteur du cordon d'alimentation DC dans l'arrivée d'alimentation DC sur le côté de l'unité. Brancher le grand connecteur dans la prise d'alimentation 12 VDC de l'automobile.

FONCTIONNEMENT SUR BATTERIE– Vérifier que l'unité est équipée d'une batterie rechargeable interne ; installée en usine sur les modèles Séries 7305P ou installée par le fournisseur sur les modèles Série 7305D (installée en option). Pour assurer le bon fonctionnement de la batterie interne, charger complètement la batterie de 10 à 17 heures tel qu'il est indiqué dans la section Pour charger la Batterie. Pour faire marcher l'unité d'une batterie rechargeable interne, veiller à ce qu'aucune autre source d'alimentation ne soit branchée dans l'arrivée d'alimentation DC sur le côté de l'unité. Une fois la source d'alimentation sélectionnée, il suffit de mettre la machine en marche en utilisant le commutateur d'alimentation situé sur le côté de l'unité. Le voyant d'alimentation (situé sur le haut de l'unité) indiquera la source d'alimentation utilisée en restant continuellement allumé lorsque l'alimentation externe est connectée.

⚠ AVERTISSEMENT

Si l'unité ne reçoit pas de source d'alimentation externe ou si la batterie n'est pas immédiatement rechargée, le voyant de batterie déchargée restera allumé et la performance de l'unité diminuera rapidement. Passer immédiatement à une autre source d'alimentation pour éviter toute interruption de procédure d'aspiration.

Régler le niveau de dépression de 80 à 550 mm Hg en faisant tourner le bouton régulateur de dépression qui se trouve sur le côté de l'unité (dans le sens des aiguilles d'une montre pour augmenter la dépression et dans le sens contraire pour la diminuer). Pour établir le niveau désiré de dépression, utiliser le vacuomètre situé sur le haut de l'unité près de la poignée. Pour lire avec exactitude le vacuomètre, bloquer l'extrémité du tuyau du patient ou déboucher le récipient collecteur et laisser le vacuomètre atteindre un relevé de dépression stable.

REMARQUE– Le vacuomètre ne sert qu'à titre indicatif. Si l'unité subit une baisse sévère, l'exactitude du vacuomètre doit être vérifiée.

L'aspiration au niveau du patient est automatiquement obstruée lorsque le niveau liquide atteint la soupape d'arrêt du flotteur située sous le couvercle du flacon de collection.

REMARQUE– Toujours transporter l'unité avec le bouton de réglage de dépression tourné complètement dans le sens des aiguilles d'une montre au cas où l'on ferait tomber l'unité.

ATTENTION– Lorsque la soupape d'arrêt du flotteur automatique est activée, il faut vider le contenu du flacon de collection. Aspirer davantage risquerait d'endommager la pompe à dépression.

ATTENTION– Si le fluide était ré-aspiré dans l'unité, il faudrait faire réparer l'équipement par le fournisseur étant donné que la pompe à dépression risquerait d'être éventuellement endommagée.

POUR CHARGER LA BATTERIE

Sur les Séries 7305P, les unités sont équipées d'une batterie rechargeable installée en usine. L'unité sera munie d'un voyant indiquant une batterie déchargée et le niveau de charge. Sur la Série 7305D, les unités ne sont pas équipées en usine d'une batterie rechargeable ; vérifier avec son fournisseur d'équipement pour savoir si l'unité a été mise à niveau avec une batterie rechargeable.

Après avoir déterminé si l'unité est équipée d'une batterie rechargeable interne, connecter l'unité à la source d'alimentation AC ou DC appropriée en utilisant l'adaptateur AC ou DC. Le voyant vert d'alimentation externe devra s'allumer. Le voyant de charge jaune s'allumera pendant la charge de la batterie. Vérifier que ce voyant s'allume lorsque la charge commence. Lorsque la charge est presque complète, il est normal que le voyant DEL clignote quelques minutes.

REMARQUE– Une batterie déchargée nécessitera entre 10 et 17 heures (selon la profondeur de décharge) de charge pour atteindre une pleine capacité.

REMARQUE– Ne pas connecter la source d'alimentation AC à une prise contrôlée par un commutateur pour s'assurer que l'unité est sous tension à tout moment.

REMARQUE– Ne pas connecter le cordon d'alimentation DC à une prise contrôlée par un commutateur afin que l'unité reste sous tension en permanence.

REMARQUE– Une batterie complètement chargée, sur la Série 7305P, fournira environ 60 minutes de fonctionnement continu, à un niveau de zéro dépression (écoulement libre).

REMARQUE– Si l'unité n'est pas utilisée pendant des périodes prolongées, la batterie devrait être rechargée au moins tous les 6 mois.

ATTENTION– Décharger complètement la batterie raccourcira la durée de vie de la batterie. Ne pas faire fonctionner l'unité pendant plus de quelques minutes si le voyant de batterie déchargée est allumé. Recharger la batterie aussi rapidement que possible.

REMARQUE– Lors de la charge de la batterie, le voyant de charge de batterie restera allumé. Si l'unité ne tient pas la charge, vérifier que le modèle utilisé est bien équipé d'une batterie avant de le retourner au fournisseur agréé Sunrise Medical ou à Sunrise Medical. Vérifier que le voyant de charge s'allume lorsque l'alimentation externe est appliquée avec le commutateur en position "Arrêt".

REMARQUE– Les unités équipées d'une batterie rechargeable interne contiennent une batterie au plomb étanche qui doit être recyclée.

INSTRUCTIONS DE NETTOYAGE

Flacon collecteur :

1. Eteindre l'unité en utilisant le commutateur d'alimentation et laisser la dépression baisser. Déconnecter la source d'alimentation de la prise multiple d'entrée DC sur l'unité.
2. Le flacon collecteur étant toujours dans le support, retirer le couvercle. On peut maintenant retirer le flacon du support pour le vider.

REMARQUE– Vider et nettoyer le flacon collecteur après chaque utilisation. Le flacon collecteur jetable de 800 ml et son couvercle sont conçus pour n'être utilisés que sur un seul patient.

3. Les flacons collecteurs et les couvercles doivent être soigneusement nettoyés après chaque utilisation en suivant l'une des méthodes suivantes :

Tous les flacons :

- Laver dans une solution d'eau chaude et de détergent pour vaisselle et rincer à l'eau claire chaude. Laver ensuite dans une solution à un volume de vinaigre et trois volumes d'eau chaude. Rincer à l'eau chaude du robinet et laisser sécher à l'air libre.

Flacon réutilisable de 1 200 ml uniquement :

- Laver dans une solution d'eau chaude et de détergent pour vaisselle et rincer à l'eau claire chaude. Laver ensuite à l'alcool isopropylique et laisser sécher à l'air.
- Laver dans une solution d'eau chaude et de détergent pour vaisselle et rincer à l'eau claire chaude. Laver ensuite avec un désinfectant du commerce (bactérien-germicide), suivre scrupuleusement les recommandations du fabricant ainsi que les taux de dilution.
- Nettoyer à fond le bocal autoclavable de 1.200 ml, le couvercle, le joint, la rondelle d'étanchéité, le guide du flotteur et le flotteur avec un détergent doux. Rincer soigneusement à l'eau propre et sécher à fond. Placer les pièces dans l'autoclave comme suit en veillant à ce qu'elles ne se touchent pas:

- Bocal avec ouverture vers le bas.
- Flotteur et guide en position verticale, extrémités larges vers le bas.
- Le joint et la rondelle d'étanchéité peuvent être placés dans un sac avant l'autoclavage.

Stériliser à l'autoclave pendant 3 à 5 minutes à 132 °C (270 °F)

Au lieu d'une stérilisation en autoclave, les pièces ci-dessus peuvent être trempées dans une solution de dialdéhyde activé.

Unité d'aspiration :

1. Le commutateur d'alimentation en position "Arrêt", déconnecter l'unité d'aspiration DeVilbiss de toutes les sources d'alimentation externes.
2. Essuyer le boîtier avec un chiffon propre et n'importe quel désinfectant commercial (bactérien-germicide).

ATTENTION– Ne pas submerger l'unité dans l'eau car ceci risquerait d'endommager la pompe à dépression.

Tubulure:

1. Débrancher la tubulure de l'unité.
2. Bien rincer la tubulure après chaque utilisation sous l'eau chaude du robinet et la passer ensuite dans une solution à un volume de vinaigre et trois volumes d'eau.
3. Rincer à l'eau chaude du robinet et laisser sécher à l'air libre.
4. Conserver la surface extérieure de la tubulure propre en essuyant avec un chiffon propre et humide.

Mallette de transport :

1. Nettoyer la mallette à l'aide d'un tissu propre imbibé de détergent et / ou de désinfectant.

MAINTENANCE

Inspecter la tubulure d'aspiration et le flacon de collection pour voir s'il y a des fuites, des fissures, etc. avant chaque utilisation.

DANGER

Risque d'électrocution. Ne pas essayer d'ouvrir ou de déposer l'armoire, il ne s'y trouve aucun élément réparable par l'utilisateur. Pour toute réparation, retourner l'unité à un fournisseur qualifié Sunrise Medical ou à un centre de service agréé. Ouvrir ou altérer l'unité annulera la garantie.

Changement de filtre :

1. Changer le filtre bactérien en cas de trop-plein ou tous les deux mois, le premier des deux prévalant.
2. Retirer le filtre en le déconnectant de l'ensemble unité d'aspiration et couvercle.
3. Remplacer avec un filtre bactérien (non-stérile) propre DeVilbiss (7305D-608 12/paquet) et remonter l'unité d'aspiration et le couvercle. On peut acheter des filtres supplémentaires auprès d'un fournisseur agréé Sunrise Medical.

REMARQUE– Ne pas substituer d'autre matériau à ce filtre bactérien. Toute substitution risque d'entraîner une contamination ou une performance médiocre; utiliser uniquement des filtres DeVilbiss®.

DÉPANNAGE

REMARQUE– Cette unité d'aspiration DeVilbiss ne contient aucune pièce réparable. Si l'unité semble mal fonctionner, AVANT DE LA RETOURNER AU FOURNISSEUR D'EQUIPEMENT MEDICAL A DOMICILE AUPRES DUQUEL L'UNITE A ETE ACHETEE OU A Sunrise Medical, prendre quelques minutes pour vérifier ces causes éventuelles:

Problème	Action
L'unité ne se met pas en marche. (Le voyant vert d'alimentation externe doit s'allumer quand l'unité est sous tension.)	<ol style="list-style-type: none"> 1. Vérifier les sources d'alimentation et les connexions. 2. Veiller à ce que la prise murale soit sous tension en branchant une lampe. 3. Si l'unité fonctionne sur une batterie interne, veiller à ce que l'unité soit munie d'une batterie. 4. Si la batterie est installée, vérifier que celle-ci est complètement chargée.
La pompe tourne, mais il n'y a pas de dépression.	<ol style="list-style-type: none"> 1. Vérifier que l'ensemble de la tubulure est correctement branché. 2. Vérifier que les connexions de tubulure ne comportent ni fuites ni pincements. 3. Veiller à ce que la soupape d'arrêt du flotteur ne soit pas activée. 4. Vérifier qu'il n'y a pas de fuites dans l'ensemble flacon.
Dépression faible.	<ol style="list-style-type: none"> 1. Utiliser le bouton de réglage de dépression pour augmenter le niveau de dépression. 2. Vérifier le système pour voir s'il y a des fuites. 3. Appuyer sur le bouton de réglage de dépression et le relâcher.
La batterie ne tient pas la charge. (Le voyant de charge doit être allumé si la batterie est branchée en mode de charge.)	<ol style="list-style-type: none"> 1. Veiller à ce que l'unité soit équipée d'une batterie interne en contactant le fournisseur d'équipement Sunrise Medical. 2. Vérifier que le voyant de charge s'allume. 3. Vérifier toutes les connexions électriques durant la charge. 4. Veiller à ce que la prise murale soit sous tension en branchant une lampe.

SPÉCIFICATIONS/CLASSIFICATIONS

Taille	h x l x p cm (pouces)
Séries 7305P et 7305D	22,9 x 17,8 x 20,3 (9,0 x 7,0 x 8,0)
Poids	kg (lb.)
Série 7305D	1,7 (3,8)
Série 7305P	2,9 (6,3)
Electricité	100-240 V AC 50/60 Hz .75 A max; 12 V DC, 33 W max
Batterie rechargeable interne	
Série 7305P	Installation en usine
Série 7305D	Pas d'installation en usine (installation en option par le fournisseur)
Plage de dépression	
7305P et 7305D	80 à 550 mm Hg
Débit d'air à l'orifice d'aspiration:	27 LPM (écoulement libre) type (peut être moindre lors du fonctionnement sur batterie interne)
Capacité des flacons collecteurs	
Séries 7305 D & P	800 ml (cc) jetables
Séries 7305 D & P - en option.....	1.200 ml (cc) Réutilisable
Conditions environnementales	
Plage de températures de fonctionnement.....	0°C (32°F) à 40°C (104°F)
Humidité relative opérationnelle.....	0 à 95%
Pression atmosphérique opérationnelle	70 kPa (10,2 Psi) à 106 kPa (15,4 Psi)
Plage de températures d'entreposage et de transport	-40°C (-40°F) à 70°C (158°F)
Humidité relative d'entreposage et de transport	0 à 95%
Pression atmosphérique d'entreposage et de transport	50 kPa (7,3 Psi) à 106 kPa (15,4 Psi)
Garantie	
Série 7305P	Limitée de deux ans, à l'exclusion de la batterie interne et du flacon collecteur
Série 7305D.....	Limitée de deux ans, à l'exclusion du flacon collecteur
Batterie interne	90 jours
Approbatons	
Séries 7305D et 7305P.....	IEC 601-1; CAN/CSA-C22.2 No. 601.1-M90; UL 60601-1, EN 60601-1-2
7305P conforme à RTCA/D-160D.....	DO-160D - section 21 Catégorie M Pour fonctionnement sur batterie uniquement A l'usage des compagnies aériennes
Classifications de l'équipement	
En ce qui concerne la protection contre tout risque d'électrocution	Classe I et sous tension intérieurement
Degré de protection contre tout risque d'électrocution	Pièces appliquées de type BF
Degré de protection contre l'entrée de liquides	IPX2 et alimentation ordinaire
Mode de fonctionnement	Fonctionnement intermittent: 30 minutes marche, 30 minutes arrêt
Equipement ne peut s'utiliser en présence d'un mélange anesthésique inflammable avec de l'air ou d'oxyde nitreux	
Classification ISO	
Séries 7305P A uniquement - Equipement d'aspiration médicale électrique à usage sur le terrain ou en transport selon la norme ISO 10079-1 : 1991	
Débit élevé/Dépression élevée	
Séries 7305D - Equipement d'aspiration médicale électrique à usage de non transport selon la norme ISO 10079-1 : 1991	
Sunrise Medical fournira sur demande les schémas de circuit, les listes de pièces, etc.	

GARANTIE LIMITÉE DE DEUX ANS

La portion compresseur de l'unité d'aspiration DeVilbiss® Séries 7305P et 7305D (à l'exclusion des batteries rechargeables internes) est garanti être exempt de tout vice de matériau et de fabrication pendant une période de deux ans à compter de la date d'achat. Les batteries rechargeables internes sont garanties pour une période de 90 jours. Toute pièce défectueuse sera réparée ou remplacée, sur décision de Sunrise Medical à condition que l'unité n'ait pas été altérée ou mal utilisée durant cette période. Veiller à ce que tout mauvais fonctionnement ne soit pas dû à un nettoyage inadéquat ou à un manque d'observation des instructions. En cas de réparations, contacter son fournisseur Sunrise Medical ou le service d'entretien Sunrise Medical pour toute instruction en appelant les numéros suivants: **Etats-Unis 800-333-4000**, Canada 1-800-263-3390, Europe 44-138-444-6688.

REMARQUE– Cette garantie ne couvre pas la fourniture d'un appareil en prêt, compensant les coûts encourus en location pendant que ledit appareil est en cours de réparation, ou les coûts de main d'œuvre encourus pour réparer ou remplacer la ou les pièces défectueuses.

IL N'EXISTE PAS D'AUTRE GARANTIE EXPRESSE. LES GARANTIES IMPLICITES, DONT CELLES DE COMMERCIALITE ET D'APTITUDE A UN USAGE PARTICULIER, SONT LIMITEES A LA DUREE DE LA GARANTIE LIMITEE EXPRESSE ET, DANS LA MESURE OU ELLES SONT AUTORISEES PAR LA LOI, TOUTES LES GARANTIES IMPLICITES SONT EXCLUES. CECI CONSTITUE LES SEULS RECOURS ET RESPONSABILITE CAR LES DOMMAGES INDIRECTS ET ACCESSOIRES SOUS TOUTES LES GARANTIES SONT EXCLUS DANS LA MESURE OU L'EXCLUSION EST AUTORISEE PAR LA LOI. CERTAINS ETATS NE PERMETTENT PAS DE LIMITATIONS SUR LA DUREE D'UNE GARANTIE IMPLICITE, OU LA LIMITATION OU L'EXCLUSION DES DOMMAGES INDIRECTS ET ACCESSOIRES, PAR CONSEQUENT LA LIMITATION OU L'EXCLUSION MENTIONNEE CI-DESSUS PEUT NE PAS S'APPLIQUER A VOUS

Cette garantie vous confère des droits juridiques précis, mais vous pouvez également bénéficier d'autres droits (ces derniers variant d'un état à l'autre au sein des Etats-Unis).

Note du fabricant

Nous vous remercions d'avoir sélectionné une unité d'aspiration DeVilbiss®. Nous voulons que vous soyez un client satisfait. Nous vous demandons d'envoyer vos questions et commentaires à l'adresse figurant sur la couverture arrière.

Pour tout entretien, contacter le fournisseur agréé Sunrise Medical:

Téléphone _____

Date d'achat _____

Numéro de série _____

DÉCLARATION DE CONFORMITÉ

Fabricant: Sunrise Medical
Adresse Respiratory Products Division
 100 DeVilbiss Drive
 Somerset, PA 15501 USA

Désignation de produit: DeVilbiss® Suction Unit
Type, Modèles: Séries 7305P & 7305D

Nous déclarons par la présente la conformité du produit mentionné ci-dessus avec les exigences de la direction CE 93/42/CEE et des suivantes :

Classe: IIa, Règle 2

Normes du système de contrôle de la qualité appliquées: ISO9001/ISO13485

Organisme notifié RWTÜV

MDD Annexe II appliqué

Normes de sécurité appliquées: EN60601-1/IEC 601-1:1988 dont A1:1991 et A2:1995
 CAN/CSA 22.2 No. 601.1-M90
 UL 60601-1:2003
 ISO 10079-1:1991

EMC (Compatibilité électromagnétique) Conformité à: EN60601-1-2 (2001) [Le texte de toutes les normes applicables est disponible sur demande]
 EN55011 Classe B

Pour fonctionnement sur batterie uniquement: RTCA/DO-160D, Section 21 (Émissions par rayonnement), Catégorie M. pour usage aérien.

Représentant autorisé: Sunrise Medical Ltd.
 Sunrise Business Park
 High Street
 Wollaston, West Midlands DY8 4PS
 ANGLETERRE
 44-138-444-6688



IEC-Symbole	23
Wichtige Sicherheitshinweise	23
Auslandsreisen	24
Einführung	24
Wichtige Teile Ihres De'Vilbiss® Absauggerätes, Serie 7305	24
Zubehör-/Ersatzteile	25
Aufbau	25
Betrieb Ihres De'Vilbiss® Absauggerätes, Serie 7305.....	25
Aufladen der Batterie.....	26
Reinigungshinweise	26
Wartung.....	27
Fehlersuche	27
Technische Daten/Klassifikation	28
Garantie.....	29
Konformitätserklärung.....	29

IEC-SYMBOLLE



Achtung, Hinweise beachten



Wechselstrom



Gleichstrom



Teil Typ BF



Gerät "Ein"



Gerät "Aus"



Innen positive Polarität

IPX2 vertikal fallende Tropfen haben keine schädlichen Auswirkungen, wenn das Gehäuse in einem Winkel von bis zu 15° von der Senkrechten geneigt ist.

WICHTIGE SICHERHEITSHINWEISE

Bei der Verwendung von elektrischen Geräten müssen immer grundsätzliche Sicherheitsvorkehrungen getroffen werden. Vor der Verwendung alle Hinweise lesen. Wichtige Informationen werden folgendermaßen hervorgehoben:

GEFAHR– Wichtige Sicherheitsinformationen über Gefahren, die schwere Verletzungen oder Tod zur Folge haben können.

WARNUNG– Wichtige Sicherheitsinformationen über Gefahren, die schwere Verletzungen zur Folge haben können.

VORSICHT– Informationen zur Vermeidung von Produktbeschädigungen.

HINWEIS– Information die Sie besonders beachten sollten.

VOR DER VERWENDUNG ALLE ANWEISUNGEN LESEN.

DIESE ANWEISUNGEN AUFBEWAHREN



GEFAHR

Um die Gefahr eines tödlichen Elektroschocks zu verringern:

1. Keinesfalls beim Baden benutzen.
2. Keinesfalls das Produkt an einer Stelle ablegen oder aufbewahren, von der es in eine Badewanne oder ein Waschbecken herabfallen oder herabgezogen werden könnte.
3. Keinesfalls das Gerät in Wasser oder andere Flüssigkeiten fallen lassen.
4. Keinesfalls nach einem Gerät fassen, das ins Wasser gefallen ist. Sofort Wechselstrom-Netzkabel aus der Steckdose ziehen.

⚠️ WARNUNG

Um die Gefahr von Verbrennungen, eines Elektroschocks, eines Feuers oder Körperverletzungen zu verringern:

1. Für sorgfältige Überwachung sorgen, wenn dieses Produkt von, an oder in der Nähe von Kindern eingesetzt wird.
2. Das Gerät lediglich für die beabsichtigten, in dieser Anleitung aufgeführten Zwecke benutzen. Keinesfalls Zubehörteile einsetzen, die nicht vom Hersteller empfohlen sind.
3. Niemals dieses Gerät betreiben, wenn
 - a. Das Netzkabel oder die Steckdose beschädigt ist.
 - b. Das Gerät nicht ordnungsgemäß funktioniert.
 - c. Das Gerät fallengelassen oder beschädigt wurde.
 - d. Das Gerät in Wasser gefallen ist. In solchen Fällen das Gerät zwecks Überprüfung und Reparatur einem anerkannten DeVilbiss Reparaturzentrum übersenden.
4. Netzkabel von aufgeheizten Oberflächen fernhalten.
5. Niemals verwenden, wenn Sie sich schwindlig fühlen oder schlafen.

HINWEIS– Die Geräte der Serie 7305D sind nicht ab Werk mit einer integrierten wiederaufladbaren Batterie ausgestattet. Eine solche Batterie ist separat erhältlich und kann von Ihrem Sunrise Medical-Händler installiert werden. Die Geräte der Serie 7305P sind ab Werk mit einer wiederaufladbaren Batterie ausgestattet. Alle in diesem Handbuch aufgeführten Hinweise im Zusammenhang mit Batteriebetrieb sind auf diese Geräte anwendbar.

⚠️ GEFAHR

Das DeVilbiss Absauggerät ist ein Vakuum-Absauggerät für das Absaugen nicht-brennbarer Flüssigkeiten im medizinischen Anwendungsbereich. Unsachgemäße Verwendung kann zu Verletzungen oder zum Tod führen. Für alle medizinischen Anwendungen gilt:

1. Das Absaugen muß in strikter Übereinstimmung mit den entsprechenden Vorgehensweisen, die von medizinischen Fachpersonal erstellt wurden, erfolgen.
2. Es kann sein, daß einige Anschluß- oder Zubehörteile nicht auf die gelieferten Schläuche passen. Alle Zubehörteile müssen vor der Verwendung auf korrekten Sitz überprüft werden.

AUSLANDSREISEN

Die Geräte der Serie 7305P sind mit einer automatischen Netzanpassung ausgestattet, die den Betrieb des Gerätes an einer beliebigen Wechselstromspannung (100-240 Volt Wechselstrom, 50/60 Hz) erlauben. Es muß jedoch das entsprechende Netzkabel zum Anschluß an die Steckdose verwendet werden.

HINWEIS– Vergewissern Sie sich vor Inbetriebnahme, daß Sie das richtige Netzkabel verwenden.

EINFÜHRUNG

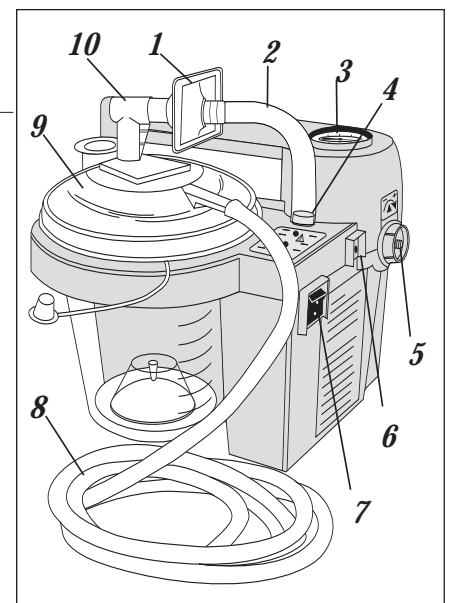
Ihr DeVilbiss Absauggerät ist ein kompaktes medizinisches Absauggerät, das für den zuverlässigen mobilen Betrieb ausgelegt ist. Aufgrund der geringen Größe, des geringen Gewichtes und Netzbetriebes, ist das DeVilbiss Absauggerät ideal für das Absaugen zu Hause. Optional während des Transports mit einem 12V Gleichstromkabel. Sofern Ihr Modell über eine integrierte wiederaufladbare Batterie verfügt, kann das Gerät überall eingesetzt werden. Es besteht die Wahl zwischen zwei verschiedenen Sammelflaschen-Optionen: Eine standardmäßige 800 ml Einwegflasche oder eine wiederverwendbare 1.200 ml Flasche. Werden die in diesem Handbuch empfohlenen Hinweise zu Betrieb und Wartung befolgt, so hilft dies, die Lebensdauer dieses Produktes zu verlängern.

WICHTIGE TEILE IHRES DEVILBISS ABSAUGGERÄTES DE SERIE 7305 (Vgl. Diagramm)

Beschreibung

Ab Werk bei Modell

1 Bakterienfilter (nicht steril)	Alle Modelle
2 10 cm Verbindungsschlauch	Alle Modelle -- FDA-zugelassener Siliconschlauch (8 mm Innendurchmesser). Zum Austausch nur spezifizierten Verbindungsschlauch verwenden.
3 Vakuum-Meßgerät	Alle Modelle
4 Schlauchanschluß	Alle Modelle
5 Vakuumregler	Alle Modelle
6 Gleichstromeingang (an der Seite)	Alle Modelle
7 Netzschalter	Alle Modelle
8 2 m Schlauch für Patienten	Alle Modelle -- FDA-zugelassener PVC-Schlauch mit Anschlusssteckern (15 cm Länge x 6,4 mm Innendurchmesser). Zum Austausch nur spezifizierten Patientenschlauch verwenden.
9 800cc Deckel mit Kanister (mech. Übersaugschutz im Deckel eingebaut)	Alle Modelle
10 90 Grad Winkelstück Wechselmodus-Adapter (nicht abgebildet)	Alle Modelle
Integrierte wiederaufladbare Batterie (nicht abgebildet)	Serie 7305P
Transporttasche (nicht abgebildet)	Serie 7305P



HINWEIS– Diese Einheit erfüllt die Standards für elektromagnetische Kompatibilität, wie in der beigefügten Konformitätserklärung dargelegt.

ZUBEHÖR-/ERSATZTEILE

Die folgenden Teile sind als Zubehör- oder Ersatzteile für Ihr DeVilbiss Absauggerät der Serie 7305 separat erhältlich:

Bestellnummer	Beschreibung
6305D-611	Patientenschlauch
7304D-619	Netzkabel für 12 Volt Anschluss am Zigarettenanzünder
7305D-601	1.200 ml wiederverwendbare Sammelflasche (je 16)
7305D-602	Sammelflasche 800 ml (je 48)
7305P-613	Netzadapter/Ladegerät
7305P-614	12 Volt wiederaufladbare Batterie (je 1)
7305D-606	Transporttasche
7305D-607	Druckmanometer
7305D-608	Bakterienfilter (nicht steril) (12-Pack)
7305P-610	Schaltplatte (Serie 7305P und konvertierte Batteriegeräte)
7305D-610	Schaltplatte (Serie 7305D)
7305P-620	Hochleistungsbatterie-Konvertierungsbausatz (Batterie, 7305P-610 Schaltplatte und Batterieaufnahme Typ D)
7304D-636	Testhalterung für Vakuum-Messung
099HD-614	Krankenhausgrad-Netzanschlusskabel (120 VAC)
7305D-603	Set mit Sammelflasche 800ml, Filter, Winkel und Schläuchen
7305D-604	Set mit 1200ml Flasche
6710D-609	Netzkabel für USA
7305P-631	Netzkabel für Mitteleuropa

AUFBAU

1. Verbinden Sie den 10 cm langen Silikonschlauch mit dem Schlauchanschluß des Gerätes und der undurchsichtigen Anschlußseite des Bakterienfilter. Stellen Sie sicher das beim Einbau der durchsichtig Teil des Bakterienfilters in Richtung Absaugflasche zeigt. Ändern Sie auf keinen Fall die Fließrichtung.
2. Der Bakterienfilter muss dann mit dem 90 Grad Winkelstück verbunden werden. Das 90 Grad Winkelstück muss dann dort mit der Oberseite des Kanisterdeckels verbunden werden, wo die Aufschrift <Vacuum> zu lesen ist.
3. Der 2m lange Schlauch für den Patienten muss dann am Kanisterdeckel an den Ausgang mit der Aufschrift <Patient> angeschlossen werden.
4. Bitte vergewissern Sie sich vor der Benutzung, dass alle Verbindungen fest sind und keine Leckstellen aufweisen.
5. Stellen Sie sicher das das Gerät auf die benötigte Saugstärke eingestellt ist, bevor sie mit dem Absaugvorgang beginnen.

BETRIEB IHRES DEVILBISS ABSAUGGERÄTES, SERIE 7305

Bevor Sie das Gerät an den Wechselstromadapter oder das als Zubehör erhältliche Netzkabel für 12 Volt Gleichstrom anschließen, vergewissern Sie sich bitte, daß der Netzschalter an der Seite des Gerätes sich in der "AUS"-Position befindet. Wählen sie nun Ihre gewünschte Stromquelle.

LED Anzeigen:

- L1 - Grün**– Gerät wird über Wechselstromquelle oder Gleichstromkabel mit Strom versorgt. Die Anzeige leuchtet auf, wenn das Gerät unter Strom steht.
- L2 - Gelb**– Batterie wird aufgeladen. Anzeige verlischt, wenn die Batterie vollständig aufgeladen ist.
- L3 - Rot**– Batteriestand niedrig. Wählen Sie eine andere Stromquelle, und laden Sie die Batterie so bald als möglich wieder auf, wenn die Anzeige weiterhin kontinuierlich aufleuchten sollte.

WECHSELSTROMBETRIEB– Stecken Sie den kleinen Anschluß des Wechselstromadapters in den Gleichstromeingang an der Seite des Gerätes. Verbinden Sie nun das entsprechende Netzkabel mit dem Wechselstromadapter und stecken Sie den Stecker in eine geerdete Steckdose.

HINWEIS– Eine erwärmung des Netzteils ist bauartbedingt.

BETRIEB MIT 12 Volt GLEICHSTROM– (z.B. der Zigarettenanzünder in einem Fahrzeug). Stecken Sie den kleinen Anschluß des Gleichstrom-Netzkabels in den Gleichstromeingang an der Seite des Gerätes. Stecken Sie den größeren Anschluß in den 12 Volt Gleichstromanschluß im Fahrzeug.

BATTERIEBETRIEB– Vergewissern Sie sich, daß Ihr Gerät über eine integrierte wiederaufladbare Batterie verfügt. Eine solche Batterie ist ab Werk in den Geräten der Serie 7305P, bzw. von Ihrem Fachhändler (als Option) in Geräten der Serie 7305D installiert. Um einen ordnungsgemäßen Batteriebetrieb sicherzustellen, muß die Batterie wie im Kapitel über das Aufladen der Batterie beschrieben für 10 bis 17 Stunden vollständig aufgeladen werden. Um das Gerät mit einer integrierten wiederaufladbaren Batterie zu betreiben, muß sichergestellt sein, daß keine externen Stromquellen an den Gleichstromeingang an der Seite des Gerätes angeschlossen sind. Nach Wahl der Stromquelle schalten Sie das Gerät "EIN"; unter Verwendung des Netzschalters an der Seite des Gerätes. Die Stromanzeige (an der Oberseite des Gerätes) zeigt an, welche Stromquelle verwendet wird. Diese Anzeige leuchtet kontinuierlich, wenn eine externe Stromquelle angeschlossen ist.

⚠ WARNUNG

Wenn das Gerät keine externe Stromzufuhr empfängt oder die Batterie nicht sofort wiederaufgeladen wird, leuchtet die Anzeige für Batterie niedrig weiterhin auf, und die Leistung des Gerätes fällt rasch ab. Wechseln Sie sofort zu einer anderen Stromquelle, um eine Unterbrechung des Absaugvorgangs zu vermeiden.

Stellen Sie das Vakuumniveau am Gerät zwischen 80 und 550 mm Hg ein, unter Verwendung des Vakuumreglers an der Seite des Gerätes (im Uhrzeigersinn zur Erhöhung des Vakuums und gegen den Uhrzeigersinn zur Verringerung des Vakuums). Das gewünschte Vakuumniveau kann mit Hilfe des Manometers an der Oberseite des Gerätes eingestellt werden. Um das Manometer akkurat abzulesen, muß das zum Patienten führende Ende des Schlauches abgeklemmt oder die Sammelflasche verschlossen werden.

HINWEIS– Das Manometer dient lediglich Vergleichszwecken. Sollte das Gerät einen beträchtlichen Leistungsabfall aufweisen, so muß die Verlässlichkeit des Meßgeräts überprüft werden.

Das Absaugen am Patienten wird automatisch geblockt, wenn das Flüssigkeitsniveau die Schwimmerabspernung an der Unterseite des Deckels der Sammelflasche erreicht.

HINWEIS– Das Gerät immer mit dem Vakuumregler vollständig im Uhrzeigersinn gedreht transportieren, für den Fall, daß das Gerät herunterfällt.

VORSICHT– Wenn die automatische Schwimmerabspernung aktiviert ist, muß der Inhalt der Sammelflasche entleert werden. Weiteres Absaugen könnte sonst die Vakuumpumpe beschädigen.

VORSICHT– Sollte Flüssigkeit zurück in das Gerät aspiriert werden, so muß das Gerät von Fachpersonal untersucht werden, da dies eine Beschädigung der Vakuumpumpe zur Folge haben kann.

AUFLADEN DER BATTERIE

Die Geräte der Serie 7305P sind ab Werk mit einer wiederaufladbaren Batterie ausgestattet. Das Gerät verfügt über eine Anzeige für niedrigen Batteriestand sowie über eine Anzeige für Batterieladung. Die Geräte der Serie 7305D sind nicht ab Werk mit einer wiederaufladbaren Batterie ausgestattet. Wenden Sie sich an Ihren Fachhändler, um herauszufinden, ob Ihr Gerät nachträglich mit einer wiederaufladbaren Batterie ausgestattet wurde.

Wenn Sie sicher sind, daß Ihr Gerät mit einer wiederaufladbaren Batterie ausgestattet ist, schließen Sie das Gerät unter Verwendung des Wechselstromadapters an die Steckdose oder den 12V-KFz Adapter an. Das grüne Licht, das externe Stromzufuhr anzeigt, leuchtet auf. Die gelbe Batterieladeanzeige leuchtet auf, während die Batterie wiederaufgeladen wird. Vergewissern Sie sich, daß diese Anzeige aufleuchtet, wenn Sie mit dem Wiederaufladen beginnen. Wenn das Aufladen fast abgeschlossen ist, kann es sein, dass die gelbe LED-Anzeige für einige Minuten blinkt. Dies ist normal.

HINWEIS– Eine entladene Batterie muß 10-17 Stunden (abhängig davon, wie tief die Batterie entladen ist) wiederaufgeladen werden, um volle Leistung zu erreichen.

HINWEIS– Schließen Sie die Wechselstromführung nicht an eine mit einem Schalter ausgestattete Steckdose an, um sicherzustellen das eine permanente Stromversorgung gewährleistet ist.

HINWEIS– Stellen Sie sicher, das während des Ladevorgangs an einer 12V Stromquelle, diese permanent unter Strom steht.

HINWEIS– Eine vollständig aufgeladene Batterie erlaubt bei Geräten der Serie 7305P etwa 60 Minuten ununterbrochenen Betrieb bei Vakuumniveau Null (freier Fluß).

HINWEIS– Wenn das Gerät für längere Zeit nicht benutzt wird, so muß die Batterie mindestens alle 6 Monate wiederaufgeladen werden.

VORSICHT– Vollständiges Entladen der Batterie verkürzt die Lebensdauer der Batterie. Betreiben Sie das Gerät nicht länger als einige Minuten, wenn die gelbe Anzeige für niedrigen Batteriestand aufleuchtet. Laden Sie die Batterie sobald wie möglich auf.

HINWEIS– Während die Batterie wiederaufgeladen wird, leuchtet die Batterieladeanzeige kontinuierlich. Wenn Ihr Gerät auf das Wiederaufladen nicht ansprechen sollte, vergewissern Sie sich bitte, daß Ihr Gerät eine Batterie enthält, bevor Sie das Gerät an Ihren Sunrise Medical-Vertragshändler oder an Sunrise Medical zurücksenden. Vergewissern Sie sich, daß die Batterieladeanzeige aufleuchtet, wenn die externe Stromzufuhr hergestellt wird und der Schalter sich in der "AUS"-Position befindet.

HINWEIS– Geräte, die mit einer integrierten wiederaufladbaren Batterie ausgestattet sind, enthalten eine versiegelte Bleibatterie, die recycled werden muß.

REINIGUNGSHINWEISE

Sammelflasche:

1. Schalten Sie das Gerät aus, indem Sie den Netzschalter betätigen und das Vakuum abfallen lassen. Trennen Sie die Stromzufuhr vom Gleichstromeingang am Gerät.
2. Nehmen Sie den Deckel der Sammelflasche ab, während sich diese noch im Halter befindet. Die Flasche kann nun aus dem Halter genommen und entleert werden.

HINWEIS– Die Sammelflasche sollte nach jeder Verwendung geleert werden. Die 800-ml-Einweg-Auffangflasche sowie der Deckel sind zum Gebrauch für nur einen Patienten bestimmt.

3. Die Sammelflasche und Deckel sollte nach jeder Verwendung auf eine der folgenden Arten gereinigt werden:

Alle Flasche:

- Waschen Sie die Flasche in heißem Wasser mit Geschirrspülmittel, und spülen Sie sie mit heißem Leitungswasser. Waschen Sie die Flasche dann mit einer Lösung von einem Teil Essig zu drei Teilen heißem Wasser. Mit heißem Leitungswasser spülen und an der Luft trocknen lassen.

Nur wiederverwendbare 1200 ml Flasche:

- Flaschen und Deckel in einer Lösung aus warmem Wasser und Geschirrspülmittel waschen und mit sauberem, heißem Leitungswasser klar spülen. Anschließend mit Reinigungsalkohol waschen und an der Luft trocknen lassen.
- Flaschen und Deckel in einer Lösung aus warmem Wasser und Geschirrspülmittel waschen und mit sauberem, heißem Leitungswasser klar spülen. Anschließend mit einem kommerziellen (antibakteriellen/keimtötenden) Desinfektionsmittel waschen, wobei die Angaben des Herstellers bez. Verdünnung genau einzuhalten sind.

- Die autoklavierbare 1.200-ml-Flasche inkl. Deckeleinheit, Dichtung, Dichtungsring, Schwimmerführung und Schwimmer gründlich mit milder Seifenlösung reinigen. Gründlich mit sauberem Wasser spülen und trocknen lassen. Teile wie folgt in die Autoklave setzen, wobei darauf zu achten ist, dass die Teile sich nicht berühren:
 - Flasche mit dem offenen Ende nach unten.
 - Schwimmer und Schwimmerführung aufrecht mit den großen Enden nach unten.
 - Dichtung und Dichtungsring können vor dem Autoklavieren in einen Sterilisierbeutel gelegt werden.

Bei 132 °C in einem 3-5-minütigen Zyklus autoklavieren.

Anstelle der Sterilisierung im Autoklaven können die oben aufgeführten Teile auch in aktivierte Dialdehydlösung eingetaucht werden.

Absauggerät:

1. Mit dem Netzschalter in "AUS"-Position trennen Sie das DeVilbiss Absauggerät von allen externen Stromquellen.
2. Wischen Sie das Gehäuse mit einem sauberen Tuch und einem kommerziellen (antibakteriellen/keimtötenden) Desinfektionsmittel ab.

VORSICHT– Nicht in Wasser eintauchen, da dies zu Beschädigungen der Vakuumpumpe führt.

Schläuche:

1. Entfernen Sie die Schläuche vom Gerät.
2. Die Schläuche müssen nach jeder Benutzung sorgfältig gespült werden, indem zuerst heißes Leitungswasser und dann eine Lösung von einem Teil Essig und drei Teilen Wasser durch die Schläuche gespült wird.
3. Mit heißem Leitungswasser ausspülen und an der Luft trocknen lassen.
4. Halten Sie die äußeren Oberflächen der Schläuche sauber, indem Sie diese mit einem sauberen feuchten Tuch abwischen.

Transporttasche:

1. Transporttasche mit einem sauberen, mit Reinigungs- oder Desinfektionsmittel befeuchteten Tuch abwischen.

WARTUNG

Überprüfen Sie die Saugschläuche und die Sammelflaschen vor jeder Benutzung auf Undichtigkeiten, Risse, usw.



Gefahr eines elektrischen Schlags. Versuchen Sie nicht, das Gehäuse zu öffnen oder zu entfernen. Es befinden sich keine Teile im Inneren des Gehäuses, die vom Benutzer selbst gewartet werden könnten. Wenn Wartungsarbeiten nötig sein sollten, so muß das Gerät an einen qualifizierten Sunrise Medical Fachhändler oder ein autorisiertes Servicezentrum geschickt werden. Das Öffnen oder Manipulieren des Geräts führt zum Erlöschen der Garantie.

Filterwechsel:

1. Der Bakterienfilter muß bei Überfließen oder aber alle zwei Monate gewechselt werden, abhängig davon, was zuerst eintritt.
2. Entfernen Sie den Filter, indem Sie diesen vom Absauggerät und dem Deckel trennen.
3. Ersetzen Sie den Filter mit einem sauberen DeVilbiss Bakterienfilter (nicht steril) (7305D-608, 12 pro Packung), und bringen Sie den Filter erneut am Absauggerät und Deckel an. Zusätzliche Filter können von Ihrem autorisierten Sunrise Medical-Händler bezogen werden.

HINWEIS– Keinesfalls den Bakterienfilter durch andere Materialien ersetzen. Ein solches Ersetzen kann zu Kontaminierung oder schlechter Leistung führen. Ausschließlich DeVilbiss®-Filter verwenden.

FEHLERSUCHE

HINWEIS– Ihr DeVilbiss Absauggerät enthält keine Teile, die vom Benutzer selbst gewartet werden können. Wenn Sie der Meinung sind, daß Ihr Gerät nicht ordnungsgemäß funktionieren, nehmen Sie sich bitte die Zeit, folgende mögliche Ursachen zu untersuchen, BEVOR SIE DAS GERÄT AN IHREN HÄNDLER, VON DEM SIE DAS GERÄT BEZOGEN HABEN, ODER AN SUNRISE MEDICAL ZURÜCKSENDEN:

Problem	Maßnahmen
Gerät lässt sich nicht einschalten. (Grüne Anzeige für externe Stromzufuhr sollte aufleuchten, wenn Strom zugeführt wird.)	<ol style="list-style-type: none"> 1. Stromquelle und Anschlüsse überprüfen. 2. Überprüfen Sie, ob die Steckdose funktioniert, indem Sie eine Lampe anschließen. 3. Bei Batteriebetrieb: Vergewissern Sie sich, daß eine Batterie in Ihrem Gerät installiert ist. 4. Wenn eine Batterie installiert ist, vergewissern Sie sich, daß diese vollständig aufgeladen ist.
Pumpe läuft, aber kein Vakuum.	<ol style="list-style-type: none"> 1. Vergewissern Sie sich, daß alle Schläuche ordnungsgemäß angeschlossen sind. 2. Überprüfen Sie die Schlauchanschlüsse auf Lecks oder Knicke. 3. Vergewissern Sie, daß die Absperrung nicht aktiviert ist. 4. Überprüfen Sie die Behälterbaugruppe auf Lecks und Risse.
Geringes Vakuum	<ol style="list-style-type: none"> 1. Verwenden Sie den Vakuumregler, um das Vakuum zu erhöhen. 2. Überprüfen Sie das System auf Lecks. 3. Drücken Sie auf den Vakuumregler, und lassen Sie ihn dann los.
Batterie wird nicht aufgeladen. (Batterieladeanzeige sollte aufleuchten, wenn die Batterie während des Aufladevorgangs angeschlossen ist.)	<ol style="list-style-type: none"> 1. Vergewissern Sie sich, daß das Gerät mit einer integrierten Batterie ausgestattet ist. Bei Fragen wenden sie sich bitte an ihren zuständigen Fachhändler. 2. Vergewissern Sie sich, daß die Batterieladeanzeige aufleuchtet. 3. Überprüfen Sie die elektischen Anschlüsse während des Aufladevorgangs. 4. Vergewissern Sie sich, daß die Steckdose funktioniert, indem Sie eine Lampe anschließen.

TECHNISCHE DATEN/KLASSIFIKATION

Größe	H x B x T Zoll (cm)
Serie 7305P und 7305D	9,0 x 7,0 x 8,0 (22,9 x 17,8 x 20,3)
Gewicht	Pfund (Kg)
Serie 7305D	3,8 (1,7)
Serie 7305P	6,3 (2,9)
Elektrische Anforderungen	100-240 V AC 50/60 Hz 0,75 A max; 12 V DC, 33 W max
Integrierte wiederaufladbare Batterie	
Serie 7305P	Ab Werk
Serie 7305D	Nicht ab Werk (Option der Installation durch den Fachhändler)
Vakuumbereich	
Serie 7305P und 7305D	80 bis 550 mm Hg
Luftdurchfluß am Pumpeneingang: normalerweise	27 LPM (freier Fluß - u.U. geringer bei Batteriebetrieb)
Kapazität der Sammelflasche	
Serie 7305 D und P	800 ml (cc) Einwegflasche
Serie 7305 D und P - Option:	1.200 ml (cc) Wiederverwendbare Flasche
Umgebungsbedingungen	
Betriebstemperatur	32°F (0°C) - 104°F (40°C)
Relative Luftfeuchte für Betrieb	0-95%
Betriebsdruck	10,2 Psi (70 kPa) - 15,4 Psi (106 kPa)
Temperaturbereich für Lagerung und Transport	-40°F (-40°C) - 158°F (70°C)
Relative Luftfeuchte für Lagerung und Transport	0-95%
Luftdruck für Lagerung und Transport	7,3 Psi (50 kPa) - 15,4 Psi (106 kPa)
Garantie	
Serie 7305P	Zwei Jahre Eingeschränkte Garantie, ausgenommen Batterie und Sammelflasche
Serie 7305D	Zwei Jahre Eingeschränkte Garantie, ausgenommen Sammelflasche
Integrierte Batterie	90 Tage
Sicherheitsstandards	
Serie 7305D und 7305P	IEC 601-1; CAN/CSA-C22.2 No. 601.1-M90; UL 60601-1, EN 60601-1-2
7305P Folgenden mit RTCA/D-160D	DO-160D - Abschnitt 21 Kategorie M Nur für Batteriebetrieb Für Verwendung im Flugzeug
Geräteklassifikation	
Geräteklassifikation in bezug auf Elektroschock Verhütung:	Klasse 1 und interner Betrieb
Schutz vor Elektroschock	Typ BF
Schutz vor Eindringen von Flüssigkeiten	IPX2 und normale Stromversorgung
Betriebsweise	Unterbrochener Betrieb: 30 Minuten ein, 30 Minuten aus
Das Gerät darf nicht in der Nähe brennbarer Mischungen von Narkosemitteln mit Luft oder Stickstoffoxid verwendet werden.	
ISO-Klassifikation	
Nur 7305P Serie A - Elektrisch betriebenes medizinisches Absauggerät für Feld- und Transporteinsatz nach ISO 10079-1 : 1991	
Hohe Flußrate / Hohes Vakuum	
Serie 7305D - Elektrisch betriebenes medizinisches Absauggerät, nicht für Transporteinsatz geeignet, nach ISO 10079-1 : 1991	
Auf Anfrage sind Schaltprogramme, Teilelisten, usw. von Sunrise Medical erhältlich.	

ZWEI JAHRE EINGESCHRÄNKTE GARANTIE

Für das Kompressoroberteil des DeVilbiss® Absauggeräts der Serie 7305P und 7305D (unter Ausschluß der integrierten wiederaufladbaren Batterien) besteht ab dem Zeitpunkt des Kaufdatums zwei Jahre Garantie auf Material und Arbeitsfehler. Für die integrierten wiederaufladbaren Batterien besteht eine Garantie von 90 Tagen ab Kaufdatum. Defekte Teile werden je nach Ermessen von Sunrise Medical repariert oder ersetzt, wenn das Gerät während dieser Zeit nicht unsachgemäß verwendet oder manipuliert wurde. Vergewissern Sie sich, daß eine etwaige Fehlfunktion nicht Folge unsachgemäßer Reinigung oder Mißachtung der Betriebsanweisung ist. Falls eine Reparatur notwendig sein sollte, so wenden Sie sich an Ihren Sunrise Medical-Händler oder an die Kundendienstabteilung von Sunrise Medical für weitere Hinweise: **USA: 800-333-4000**, Kanada: 800-263-3390, Europa: 44-138-444-6688.

HINWEIS– Diese Garantie umfaßt nicht die Bereitstellung einer Leiheinheit, die Kompensation für die Kosten eines Leihgeräts, während die Einheit sich in Reparatur befindet, oder entstehende Arbeitskosten für die Reparatur oder das Ersetzen defekter Teile.

ES BESTEHT KEINE ANDERE VERTRAGLICHE GEWÄHRLEISTUNG. GESETZLICHE GEWÄHRLEISTUNGEN, WIE GEWÄHRLEISTUNG, DASS DIE WAREN VON DURCHSCHNITTLICHER QUALITÄT UND FÜR DEN NORMALEN GEBRAUCH GEEIGNET SIND ODER GEWÄHRLEISTUNG DER EIGNUNG FÜR EINEN BESTIMMTEN ZWECK, IST NUR FÜR DEN ZEITRAUM DER VERTRAGLICHEN GEWÄHRLEISTUNG GÜLTIG UND IN DEM GESETZLICHEN UMFANG ZULÄSSIG, UND JEDLICHE GEWÄHRLEISTUNG STILLSCHWEIGENDER ART IST AUSGESCHLOSSEN. EINIGE STAATEN GESTATTEN KEINE BESCHRÄNKUNG DER GESETZLICHEN GEWÄHRLEISTUNG ODER DIE BESCHRÄNKUNG BZW. DEN AUSSCHLUSS VON BEILÄUFIG ENTSTANDENEN ODER FOLGESCHÄDEN. ES KANN DAHER SEIN, DASS DIESE BESCHRÄNKUNGEN NICHT AUF SIE ZUTREFFEN.

Diese Garantie gibt Ihnen bestimmte gesetzliche Rechte. Sie mögen noch andere Rechte haben, die von Staat zu Staat unterschiedlich sind.

Hinweis des Herstellers

Wir danken Ihnen, daß Sie ein DeVilbiss® Absauggerät gewählt haben. Wir möchten, daß Sie mit Ihrem Gerät zufrieden sind. Falls Sie Fragen oder Kommentare haben sollten, schicken Sie diese bitte an die Adresse auf dem hinteren Umschlag.

Für Kundendienst wenden Sie sich an Ihren Sunrise-Vertragshändler

Telefon _____

Kaufdatum _____

Seriennummer _____

KONFORMITÄTserklärung

Hersteller: Sunrise Medical
Adresse: Respiratory Products Division
100 DeVilbiss Drive
Somerset, PA 15501, USA

Produktbezeichnung: DeVilbiss® Absauggerät

Typ, Modell: Serie 7305P und 7305D

Hiermit erklären wir, daß das oben genannte Produkt den Bestimmungen der EG-Richtlinie 93/42/EWG und den folgenden Richtlinien entspricht:

Klasse: IIa, Vorschrift 2

Qualitätssystem Gültige Standards: ISO9001/ISO13485

Verständigte Organisation: RWTÜV

MDD Anhang II angewandt

Sicherheitsstandards Gültige Standards: EN60601-1/IEC 601-1:1988 einschließlich A1:1991 und A2:1995
CAN/CSA 22.2 No. 601.1-M90
UL 60601-1:2003
ISO 10079-1:1991

EMC (Elektromagnetische Verträglichkeit) EMC-Erfüllung: EN60601-1-2 (2001) [Alle geltenden Standards sind auf Anfrage erhältlich]
EN55011 Klasse B

Nur für Batteriebetrieb: RTCA/DO-160D, Abschnitt 21 (Abstrahlung), Kategorie M. zur Verwendung von Fluggesellschaften.

Autorisierter Vertreter: Sunrise Medical Ltd.
Sunrise Business Park
High Street
Wollaston, West Midlands DY8 4PS
ENGLAND
44-138-444-6688

INDICE

Simboli IEC	30
Avvertenze Importanti	30
Uso All'Estero	31
Introduzione.....	31
Parti fondamentali Dell'Aspiratore De'Vilbiss® Serie 7305	31
Accessori/Ricambi	32
Allestimento.....	32
Utilizzo Dell'Aspiratore De'Vilbiss® serie 7305.....	32
Caricamento Della Batteria.....	33
Pulizia	33
Manutenzione	34
Problemi e Soluzioni.....	34
Specifiche/Classificazioni.....	35
Garanzie	36
Dichiarazione di Conformità	36

SIMBOLI IEC

Attenzione, consultare la guida di istruzioni



Corrente alternata



Corrente continua



Apparecchiatura di tipo BF



Compressore attivo (ON)



Compressore disattivato (OFF - caricabatteria esterno)



Indicatore di polo positivo centrale

Le gocce di IPX2 in caduta verticale non hanno effetti dannosi purché la copertura risulti posizionata entro un angolo non superiore a 15° rispetto alla verticale.

AVVERTENZE IMPORTANTI

Nell'impiego di dispositivi elettrici, specialmente in presenza di bambini, è sempre necessario adottare alcune misure di sicurezza basilari. Leggere tutte le istruzioni prima dell'uso. Le informazioni importanti sono evidenziate dai seguenti termini:

PERICOLO – Informazioni di sicurezza essenziali per evitare il rischio di lesioni gravi o di morte.

ATTENZIONE – Informazioni di sicurezza importanti per evitare il rischio di lesioni gravi.

AVVERTENZA – Informazioni per evitare danni al prodotto.

NOTA – Informazioni alle quali occorre prestare particolare attenzione.

LEGGERE TUTTE LE ISTRUZIONI PRIMA DELL'USO.

CONSERVARE QUESTE ISTRUZIONI

PERICOLO

Per evitare il rischio di folgorazione:

1. Non usare il dispositivo in bagno.
2. Non collocare il dispositivo in luoghi da cui potrebbe cadere a terra o dentro un lavandino.
3. Evitare che il dispositivo venga a contatto con liquidi.
4. Non toccare il dispositivo se questo è venuto a contatto con acqua. Scollegarlo immediatamente dalla rete elettrica.

ATTENZIONE

Per evitare il rischio di ustioni, folgorazione, incendio o lesioni personali:

1. In caso di utilizzo del dispositivo da parte di invalidi o adolescenti è necessaria un'attenta supervisione.
2. Usare il dispositivo solo per il fine previsto nelle modalità descritte in questa guida.
3. Non utilizzare mai il dispositivo nei seguenti casi:
 - a. Il cavo o la presa di alimentazione presentano segni di danneggiamento.
 - b. Il dispositivo non funziona correttamente.
 - c. Il dispositivo presenta segni di danneggiamento o ha subito una caduta.
 - d. Il dispositivo è venuto a contatto con l'acqua.

In tal caso, consegnare il dispositivo ad un centro di assistenza Sunrise Medical per l'eventuale riparazione.

4. Tenere il cavo di alimentazione lontano dalle fonti di calore.
5. Non utilizzare il dispositivo in presenza di sintomi di sonnolenza o durante il sonno.

NOTA– Il modello 7305D non è equipaggiato di serie con la batteria ricaricabile; questa può essere acquistata separatamente e deve essere installata dal rivenditore Sunrise Medical. Il modello 7305P è equipaggiato con batteria interna ricaricabile e pertanto si presta all'applicazione di tutte le procedure descritte in questa guida.

PERICOLO

L'aspiratore DeVilbiss è un dispositivo di aspirazione progettato esclusivamente per la raccolta di fluidi non infiammabili nell'ambito di procedure mediche. L'uso improprio del dispositivo durante l'esecuzione di procedure mediche può causare lesioni o la morte. Per tutte le applicazioni mediche:

1. L'aspirazione deve essere effettuata in stretta conformità alle procedure indicate dal responsabile sanitario autorizzato.
2. Alcuni collegamenti o accessori possono risultare inadatti ai condotti forniti in dotazione. Tutti i collegamenti ed accessori devono essere testati prima dell'uso al fine di verificarne l'accoppiamento appropriato.

USO ALL'ESTERO

Il modello 7305P è equipaggiato con un alimentatore a commutazione che consente di utilizzare il dispositivo con una vasta gamma di tensioni di alimentazione CA (100-240 Vca, 50/60 Hz). Tuttavia, è necessario dotarsi del cavo di alimentazione appropriato al tipo di presa elettrica.

NOTA– Prima dell'utilizzo, verificare l'adeguatezza del cavo di alimentazione.

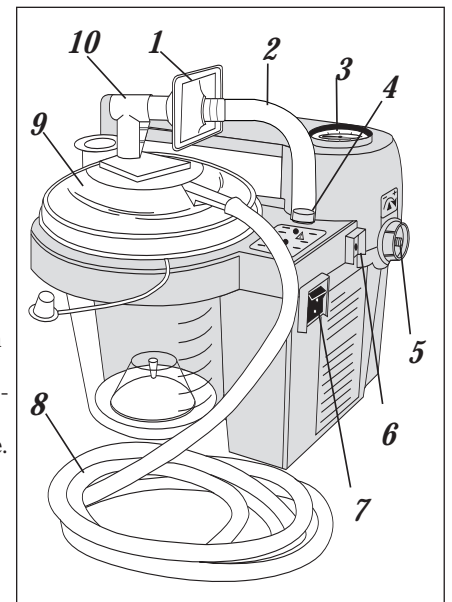
INTRODUZIONE

L'aspiratore DeVilbiss è un dispositivo medico di aspirazione affidabile e portatile. Grazie alle dimensioni ridotte, al peso contenuto e all'alimentazione CC, l'aspiratore DeVilbiss è ideale per eseguire operazioni di aspirazione a domicilio o in trasferta utilizzando il cavo di alimentazione CC opzionale oppure la batteria ricaricabile. Due ampole di raccolta opzionali consentono di scegliere tra il recipiente standard da 800 monouso e il recipiente riutilizzabile da 1200 ml. L'applicazione scrupolosa delle procedure di utilizzo e manutenzione fornite in questa guida consentirà di prolungare al massimo la durata del dispositivo.

PARTI FONDAMENTALI DELL'ASPIRATORE DEVILBISS SERIE 7305 (VEDI FIGURA)

Descrizione	Di serie sui modelli:
1 Filtro antibatterico (non sterile)	Tutti i modelli
2 Tubo di collegamento da 4"	Tutti i modelli -- Door FDA goedgekeurde siliconen slang (interne diameter 8 mm). Gebruik alleen gespecificeerde aansluitslangen voor vervanging.
3 Indicatore di depressione	Tutti i modelli
4 Connettore per tubo	Tutti i modelli
5 Manopola di regolazione depressione	Tutti i modelli
6 Ingresso tensione CC (lato)	Tutti i modelli
7 Interruttore di accensione	Tutti i modelli
8 Tubo per paziente da 6'	Tutti i modelli -- Tubo in PVC diam. int. 0,25" x 6' approvato dalla FDA con accoppiatori per collegamento. Per la sostituzione, utilizzare solo tubi specifici per paziente.
9 Recipiente da 800cc con coperchio (interruttore a galleggiante incorporato nel coperchio)	Tutti i modelli
10 Raccordo a 90°	Tutti i modelli
Adattatore alimentazione (<i>non mostrato</i>)	Tutti i modelli
Batteria interna ricaricabile (<i>non mostrato</i>)	Serie 7305P
Custodia per trasporto (<i>non mostrato</i>)	Serie 7305P

NOTA – Questo dispositivo risulta conforme agli standard di compatibilità elettromagnetica definiti nella dichiarazione di conformità allegata.



ACCESSORI/RICAMBI

I componenti elencati di seguito possono essere acquistati separatamente come accessori o ricambi per l'aspiratore DeVilbiss serie 7305:

Codice	Descrizione
Tubo 6' per paziente	6305D-611
Cavo di alimentazione 12V CC (1 pz)	7304D-619
Recipiente riutilizzabile da 1200 ml (16 pz)	7305D-601
Recipiente monouso da 800 ml (48 pz)	7305D-602
Commutatore da CA a caricabatterie/adattatore CC	7305P-613
Batteria 12V CC ricaricabile ad alta capacità (1 pz)	7305P-614
Custodia per trasporto	7305D-606
Indicatore	7305D-607
Filtro antibatterico non sterile (12 pz)	7305D-608
Scheda base (serie 7305P & unità a batterie convertite)	7305P-610
Scheda base (serie 7305D)	7305D-610
Kit per conversione batteria ad alta capacità (batteria, scheda 7305P-610 & supporto batteria)	7305P-620
Dispositivo di test per indicatore depressione	7304D-636
Cavo di alimentazione di tipo ospedaliero (120 VCA)	099HD-614
Filtro, recipiente di raccolta da 800 ml & raccordo a gomito	7305D-603
Recipiente da 1200 ml	7305D-604
Cavo di alimentazione per USA	6710D-609
Cavo di alimentazione per continentale Europa	7305P-631

ALLESTIMENTO

1. Collegare un'estremità del tubo da 4" al connettore e l'altra estremità al filtro antibatterico. Durante il montaggio/smontaggio, verificare che il lato libero del filtro antibatterico sia rivolto verso il raccordo e il recipiente di raccolta. Non invertire la direzione di flusso del filtro.
2. Collegare il filtro antibatterico al raccordo a 90°, quindi collegare quest'ultimo alla sommità del coperchio in corrispondenza della scritta <Vacuum>.
3. Il tubo da 6' a contatto con il paziente deve essere collegato al coperchio in corrispondenza della scritta <Patient>.
4. Prima dell'uso verificare che tutti i collegamenti risultino ben fissi e non presentino perdite.
5. Prima di iniziare l'operazione di aspirazione sul paziente verificare che il dispositivo sia regolato sul livello di aspirazione appropriato.

UTILIZZO DELL'ASPIRATORE DEVILBISS SERIE 7305

Prima di collegare il dispositivo all'adattatore CA o al cavo di alimentazione 12V CC opzionale, verificare che l'interruttore di accensione situato sul lato dell'unità sia in posizione "OFF". Selezionare la sorgente di alimentazione desiderata.

Indicazioni LED:

L1- Verde– Dispositivo alimentato da sorgente CA o cavo CC.

Si accende quando è presente la tensione di alimentazione esterna.

L2 - Giallo– Batteria in carica. Si spegne quando la batteria è carica.

L3 - Rosso– Batteria scarica. Se il LED rimane acceso permanentemente utilizzare un'altra sorgente di alimentazione e ricaricare la batteria non appena possibile.

ALIMENTAZIONE CA– Inserire il connettore piccolo dell'adattatore CA nell'ingresso di alimentazione CC situato sul lato dell'unità. Inserire l'estremità CA in una presa di rete con messa a terra.

NOTA– Il gruppo di alimentazione può diventare caldo al tocco durante la carica o il funzionamento dell'unità. Ciò è normale.

ALIMENTAZIONE 12V CC– (ad es. accendisigari dell'automobile). Inserire il connettore piccolo del cavo di alimentazione CC nel connettore di ingresso CC situato sul lato dell'unità. Inserire il connettore grande nella presa di alimentazione 12V CC dell'automobile.

ALIMENTAZIONE A BATTERIA– Verificare che il dispositivo sia equipaggiato con batteria interna ricaricabile; la batteria è installata di serie sui modelli 7305P oppure come opzione sui modelli 7305D. Per garantire il corretto funzionamento con alimentazione a batteria, caricare completamente la batteria per 10-17 ore come descritto nella sezione "Caricamento della batteria". Per utilizzare il dispositivo con alimentazione a batteria interna, verificare che il dispositivo non sia collegato a sorgenti di alimentazione esterne tramite il connettore CC posto sul lato dell'unità.

Dopo avere scelto la sorgente di alimentazione, attivare il dispositivo mediante l'interruttore situato sul lato dell'unità. La spia di alimentazione (sulla sommità del dispositivo) indica la sorgente di alimentazione utilizzata (accesa permanentemente in caso di sorgente esterna).

ATTENZIONE

Se l'unità non riceve tensione da una sorgente esterna oppure la batteria è scarica, la spia di batteria scarica rimane accesa e le prestazioni dell'unità decadono rapidamente. Utilizzare immediatamente un'altra sorgente di alimentazione per evitare di interrompere la procedura di aspirazione.

Regolare il livello di depressione da 80 a 550 mm Hg ruotando la manopola situata sul lato dell'unità (in senso orario per aumentare il livello di aspirazione, in senso antiorario per diminuirlo). Il livello desiderato di depressione può essere regolato mediante l'indicatore situato sulla sommità del dispositivo vicino alla maniglia. Per leggere correttamente lo strumento indicatore,appare l'estremità del tubo verso il paziente oppure aprire il recipiente di raccolta per consentire allo strumento di fornire una indicazione stabile.

NOTA– Lo strumento fornisce una misura puramente indicativa. In caso di urti violenti, occorre verificare la precisione della misura fornita dallo strumento.

L'aspirazione viene interrotta automaticamente quando il livello del liquido raggiunge l'interruttore a galleggiante situato sotto il coperchio del recipiente di raccolta.

NOTA– Durante il trasporto dell'unità, ruotare completamente in senso orario la manopola di regolazione della depressione per evitare di danneggiarla in caso di caduta accidentale.

AVVERTENZA– Quando il livello del liquido raggiunge l'interruttore a galleggiante provocando l'interruzione automatica dell'aspirazione è necessario svuotare il recipiente di raccolta. In caso contrario, la pompa di aspirazione può danneggiarsi.

AVVERTENZA– In caso di ritorno di fluido nell'unità, consultare un centro di assistenza per determinare eventuali danni alla pompa di aspirazione.

CARICAMENTO DELLA BATTERIA

I modelli della serie 7305P sono equipaggiati di serie con una batteria interna ricaricabile. Tali modelli sono dotati di spia del livello di carica della batteria. I modelli della serie 7305D non sono equipaggiati di serie con batteria ricaricabile; consultate il rivenditore per determinare se l'unità in vostro possesso è dotata di batteria ricaricabile.

Dopo avere determinato se l'unità è dotata di batteria ricaricabile, collegarla ad una sorgente di alimentazione CA o CC appropriata mediante l'adattatore CA o il cavo di alimentazione CC. La spia verde di alimentazione esterna deve accendersi. La spia gialla del livello di carica si accende durante la fase di carica della batteria. Verificare che la spia si accenda all'inizio della fase di carica. Quando il livello di carica della batteria è prossimo al valore massimo, la spia gialla può lampeggiare per alcuni minuti. Tale comportamento è da ritenersi normale.

NOTA– Una batteria scarica richiede da 10 a 17 ore di carica (a seconda della capacità residua) per ricaricarsi completamente.

NOTA– Per evitare interruzioni accidentali dell'alimentazione, non collegare mai l'adattatore CA ad una presa controllata da interruttore.

NOTA– Non collegare mai il cavo di alimentazione CC ad una sorgente di alimentazione discontinua.

NOTA– Nei modelli della serie 7305P, una batteria completamente carica garantisce un'autonomia di funzionamento di circa 60 minuti con livello di depressione zero (flusso libero).

NOTA– Se l'unità non viene utilizzata per un periodo di tempo prolungato, è necessario ricaricare la batteria almeno ogni 6 mesi.

AVVERTENZA– La scarica completa della batteria ne accorcia la vita operativa. Quando la spia di batteria scarica è accesa, non utilizzare l'unità per un tempo superiore a pochi minuti. Ricaricare la batteria non appena possibile.

NOTA– Durante la carica della batteria, la spia di carica rimane accesa. Se l'unità non mantiene la carica, verificare che sia dotata di batteria interna prima di portarla presso un centro autorizzato Sunrise Medical. Verificare che la spia di carica si accenda quando l'unità è collegata ad una sorgente di alimentazione esterna con interruttore principale in posizione OFF.

NOTA– La batteria interna ricaricabile è di tipo piombo-acido e deve essere smaltita in modo opportuno.

PULIZIA**Recipiente di raccolta:**

1. Spegnerne l'unità mediante l'interruttore principale e attendere che il livello di depressione si abbassi. Scollegare l'unità dalla sorgente di alimentazione CC esterna.
2. Rimuovere il coperchio del recipiente di raccolta. Quindi estrarre il recipiente dal supporto e svuotarlo.

NOTA– Il recipiente di raccolta deve essere svuotato e pulito dopo ogni utilizzo. Il recipiente di raccolta monouso da 800 ml e relativo coperchio vanno usati per un solo paziente.

3. I recipiente di raccolta e relativi coperchi devono essere puliti per bene dopo ciascun uso con uno dei sei metodi seguenti:

Tutti i recipiente:

- Lavare il recipiente con una soluzione di acqua calda e detergente per stoviglie e risciacquarlo con acqua calda pulita. Lavare quindi il recipiente con una soluzione costituita da una parte di aceto e tre parti di acqua calda. Risciacquare con acqua calda e lasciare asciugare all'aria.

Solo recipiente 1200 ml riutilizzabile:

- Lavare il recipiente con una soluzione di acqua calda e detergente per stoviglie e risciacquarlo con acqua calda pulita. Lavare quindi con alcool e lasciare asciugare all'aria.
- Lavare il recipiente con una soluzione di acqua calda e detergente per stoviglie e risciacquarlo con acqua calda pulita. Lavare quindi con disinfettante commerciale (battericida-germicida), seguendo scrupolosamente le istruzioni e i valori di diluizione forniti dal produttore.

• Pulire il contenitore da 1.200 ml per autoclave, recipiente, gruppo coperchio, guarnizione, rondella sigillante, guida del galleggiante e galleggiante per bene con sapone delicato. Sciacquare accuratamente con acqua pulita e asciugare per bene. Collocare le parti nell'autoclave accertandosi che le parti non tocchino:

- Il recipiente con l'estremità aperta in basso.
- Il galleggiante e la guida galleggiante verso l'alto con le ampie estremità in basso.
- La guarnizione e la rondella sigillante possono essere collocate in una sacca a fazzoletto prima di essere messe in autoclave.

Sterilizzare con autoclave per un ciclo da 3 a 5 minuti a 270°F (132°C).

Invece della sterilizzazione in autoclave, le parti summenzionate possono essere immerse in una soluzione di dialdeide attivata.

Aspiratore:

1. Con l'interruttore principale in posizione OFF, scollegare l'aspiratore DeVilbiss dalla eventuale sorgente di alimentazione esterna.
2. Pulire l'unità con un panno pulito inumidito con disinfettante (battericida-germicida).

AVVERTENZA– Non immergere il dispositivo in acqua poiché potrebbe danneggiarsi la pompa di aspirazione.

Tubo:

1. Scollegare il tubo dall'unità.
2. Risciacquare accuratamente il tubo dopo ogni utilizzo facendovi prima scorrere acqua calda e quindi una soluzione costituita da una parte di aceto e tre parti di acqua calda.
3. Risciacquare con acqua calda e lasciare asciugare all'aria.
4. Pulire la superficie esterna del tubo passandovi un panno pulito inumidito.

Custodia per trasporto:

1. Pulire la custodia usando un panno pulito inumidito con detergente e/o disinfettante.

MANUTENZIONE

Verificare che il tubo di aspirazione ed il recipiente di raccolta non presentino perdite, incrinature, ecc. prima di ogni utilizzo.



PERICOLO

Pericolo di scosse elettriche. Non cercare di aprire o togliere il modulo; non vi sono componenti interni riparabili dall'utente. Se occorre assistenza, portare l'unità presso un rivenditore Sunrise Medical qualificato od un centro di assistenza autorizzato. L'apertura o la manomissione dell'unità provoca il decadimento della garanzia.

Sostituzione del filtro:

1. Il filtro deve essere sostituito ogni due mesi o in caso di saturazione.
2. Rimuovere il filtro scollegandolo dal gruppo unità di aspirazione/coperchio.
3. Sostituire con un filtro antibatterico DeVilbiss non sterile (7305D-608 conf. 12 pz) e rimontare nel gruppo unità di aspirazione/coperchio. Filtri aggiuntivi possono essere acquistati presso il rivenditore autorizzato Sunrise Medical.

NOTA– Non utilizzare altri materiali in sostituzione del filtro antibatterico. In caso contrario possono esservi rischi di contaminazione o decadimento delle prestazioni; usare esclusivamente filtri DeVilbiss®.

PROBLEMI E SOLUZIONI

NOTA– L'aspiratore DeVilbiss non contiene componenti riparabili dall'utente. Se si ritiene che l'unità non funzioni correttamente, PRIMA DI CONSEGNARLA AL RIVENDITORE DI APPARECCHIATURE MEDICALI PRESSO IL QUALE È STATA ACQUISTATO O DIRETTAMENTE ALLA SUNRISE MEDICAL, verificare se la causa dell'anomalia rientra tra quelle elencate di seguito:

Problema	Soluzione
L'unità non si accende. (la spia verde di alimentazione esterna deve accendersi quando l'unità è collegata ad una sorgente di alimentazione)	<ol style="list-style-type: none"> 1. Verificare la funzionalità della sorgente di alimentazione ed il collegamento ad essa. 2. Verificare che la presa di corrente sia attiva collegandovi una lampada. 3. Se si sceglie l'alimentazione con batteria interna, verificare che l'unità sia dotata di batteria. 4. Se la batteria è presente, verificare che sia completamente carica.
La pompa funziona ma non è presente aspirazione.	<ol style="list-style-type: none"> 1. Verificare che i tubi siano collegati correttamente. 2. Verificare che i punti di collegamento dei tubi non presentino perdite o incrinature. 3. Verificare che l'interruzione automatica di aspirazione non sia abilitata. 4. Verificare che il recipiente di raccolta non presenti perdite o incrinature.
Basso livello di aspirazione.	<ol style="list-style-type: none"> 1. Azionare la manopola di regolazione per aumentare il livello di aspirazione. 2. Verificare che l'unità non presenti segni di perdita. 3. Premere e rilasciare la manopola di regolazione del livello di aspirazione.
La batteria non mantiene la carica. (la spia di carica deve accendersi quando la batteria è sotto carica.)	<ol style="list-style-type: none"> 1. Verificare che l'unità sia equipaggiata con batteria interna consultando il rivenditore Sunrise Medical. 2. Verificare che la spia del livello di carica della batteria sia accesa. 3. Verificare i collegamenti elettrici durante la fase di carica. 4. Verificare che la presa di corrente sia attiva collegandovi una lampada.

SPECIFICHE E CLASSIFICAZIONI**Dimensioni****A x L x P (cm)**

Serie 7305P & 7305D22.9 x 17.8 x 20.3

Peso**(kg)**

Serie 7305D1.7

Serie 7305P2.9

Requisiti elettrici100-240 V AC 50/60 Hz .75 A max; 12 V DC, 33 W max**Batteria interna ricaricabile**

Serie 7305Pdi serie

Serie 7305Dopzionale (installazione presso il rivenditore)

Livelli di depressione

Serie 7305P & 7305Dda 80 a 550 mm Hg

Flusso aria (ingresso pompa): 27 LPM (flusso libero) tipico (può essere inferiore con alimentazione a batteria)

Capacità recipiente di raccolta

Serie 7305 D & P800 ml (cc) monouso

Serie 7305 D & P - Opzionale1200 ml (cc) multiuso

Condizioni ambientali

Temperatura operativada 0 °C a 40 °C

Umidità relativa operativa0-95%

Pressione atmosferica operativa10.2 Psi (70 kPa) - 15.4 Psi (106 kPa)

Temperatura di immagazzinamento e trasportoda -40 °C a 70 °C

Umidità relativa di immagazzinamento e trasporto0-95%

Pressione atmosferica di immagazzinamento e trasporto7.3 Psi (50 kPa) - 15.4 Psi (106 kPa)

Garanzia

Serie 7305PDue anni, esclusa batteria interna e recipiente di raccolta

Serie 7305DDue anni, escluso recipiente di raccolta

Batteria interna90 gg

Approvazioni

Serie 7305D, & 7305PIEC 601-1 CAN/CSA-C22.2 No. 601.1-M90; UL 60601-1, EN 60601-1-2

7305P conforme a RTCA/D-160DDO-160D – sez. 21 cat. M

.....solo per alimentazione a batteria.

.....Impiego su aeromobili

Classificazioni del dispositivo

Protezione dai rischi di scosse elettricheClasse I e alimentazione interna

Grado di protezione da scosse elettriche:Dispositivo di tipo BF

Grado di protezione dalla penetrazione di liquidiIPX2 e alimentazione ordinaria

Modo d'impiegoFunzionamento intermittente: 30 minuti acceso, 30 minuti spento

Apparecchiatura non idonea all'uso in presenza di miscele di anestetico infiammabile all'aria o protossido d'azoto.

Classificazione ISO

Solo serie 7305P – Dispositivo medico di aspirazione ad alimentazione elettrica per impiego locale e in trasferta conforme alle norme ISO 10079-1 : 1991

Alto flusso/Alta depressione

Serie 7305D – Dispositivo medico di aspirazione ad alimentazione elettrica per impiego locale conforme alle norme ISO 10079-1 : 1991

Sunrise Medical può fornire su richiesta schemi elettrici, elenco componenti, ecc.

GARANZIA LIMITATA DI DUE ANNI

Il gruppo compressore dell'aspiratore DeVilbiss® serie 7305P & 7305D (esclusa batteria interna ricaricabile) è garantito esente da difetti di lavorazione e di materiale per un periodo di due anni dalla data di acquisto. La batteria interna ricaricabile è garantita per 90 giorni. Eventuali parte difettose saranno riparate o sostituite a discrezione di Sunrise Medical a condizione che l'unità non risulti manomessa od usata in modo improprio durante tale periodo. Assicurarsi che eventuali malfunzionamenti non siano imputabili a pulizia inadeguata o ad errata applicazione delle istruzioni. Se è necessaria una riparazione, contattare il rivenditore Sunrise Medical o il Centro di assistenza Sunrise Medical per istruzioni: U.S.A. 800-333-4000, 905660-4881 Canada 1-800-263-3390 Europa 44-138-444-6688.

NOTA- Questa garanzia non prevede la fornitura di unità sostitutiva né l'indennizzo di costi sostenuti per l'eventuale noleggio durante il periodo di riparazione od i costi di manodopera sostenuti per la riparazione/sostituzione delle parti difettose.

NON È PREVISTA NESSUN'ALTRA GARANZIA ESPLICITA. LE GARANZIE IMPLICITE, INCLUSE QUELLE DI COMMERCIALIZZABILITÀ E IDONEITÀ AD UNO SPECIFICO SCOPO, SONO LIMITATE ALLA DURATA DELLA GARANZIA ESPLICITA E NEI LIMITI PREVISTI DALLA LEGGE. OGNI ALTRA GARANZIA IMPLICITA È ESCLUSA. QUESTA RAPPRESENTA L'UNICO RIMEDIO CHE ESCLUDE QUALSIASI RESPONSABILITÀ PER EVENTUALI DANNI CONSEGUENZIALI E INCIDENTALI NELL'AMBITO DI QUALSIVOGLIA GARANZIA NEI LIMITI PREVISTI DALLA LEGGE. ALCUNI STATI NON CONSENTONO LIMITAZIONI ALLA DURATA DI UNA GARANZIA IMPLICITA O SULLA LIMITAZIONE O ESCLUSIONE DI DANNI CONSEGUENZIALI O INCIDENTALI, PERTANTO IL LIMITE O L'ESCLUSIONE DI CUI SOPRA POTREBBERO NON ESSERE APPLICABILI.

Questa garanzia ha valore conferisce specifici diritti legali che possono variare da uno Stato all'altro.

Nota del produttore

Grazie per avere scelto un'unità di aspirazione DeVilbiss®. Desideriamo la soddisfazione dei nostri clienti.

Eventuali domande o commenti possono essere inviati all'indirizzo riportati sulla retrocopertina.

Per contattare il rivenditore autorizzato Sunrise Medical:

Telefono _____
 Data di acquisto _____
 Numero di serie _____

DICHIARAZIONE DI CONFORMITÀ

Produttore: Sunrise Medical

Indirizzo: Respiratory Products Division
 100 DeVilbiss Drive
 Somerset, PA 15501-2125 USA

Denominazione prodotto: DeVilbiss® Suction Unit

Modello: Serie 7305P & 7305D

Si dichiara che il prodotto menzionato è conforme ai requisiti stabiliti dalla Direttiva europea CEE93/42 e seguenti:

Classe: IIa, Regola 2

Standard per sistemi di qualità: ISO9001/ISO13485

Notified Body RWTÜV

MDD Annex II

Standard di sicurezza: EN60601-1/IEC 601-1:1988 compreso A1:1991 e A2:1995
 CAN/CSA 22.2 No. 601.1-M90
 UL 60601-1:2003
 ISO 10079-1:1991

EMC (compatibilità elettromagnetica) Conforme a: EN 60601-1-2 (2001) [Tutti gli standard applicabili disponibili a richiesta]
 EN55011 Classe B

Solo per alimentazione a batteria: RTCA/DO-160D, Sezione 21 (Emissioni irradiate), Categoria M. per uso su aeromobili.

Rappresentante autorizzato: Sunrise Medical Ltd Sunrise Business Park
 High Street Wollaston,
 West Midlands DY8 4PS
 ENGLAND
 44-138-444-6688



INHOUDSOPGAVE

IEC-Symbolen	37
Belangrijke Veiligheidsinstructies	37
Gebruik in Het Buitenland	38
Inleiding	38
Belangrijke Onderdelen van de DeVilbiss Model 7305 Afzuigenheid	38
Accessoires/Vervangingsonderdelen	39
Instelling	39
Bediening van de DeVilbiss Model 7305 Afzuigenheid	39
De Batterij Opladen	40
Reinigingsinstructies	40
Onderhoud	41
Problemen Oplossen	41
Specificaties/Classificaties	42
Garantie	43
Conformiteitsverklaring	43

IEC-SYMBOLEN

Waarschuwing. Raadpleeg gebruikershandleiding.



Wisselstroom



Gelijkstroom



Type BF-toegepast onderdeel



Compressor "Aan"



Compressor "Uit" (externe batterij wordt opgeladen)



Positieve polariteitsindicator

Bij IPX2 zullen verticaal vallende druppels geen nadelige invloed hebben als de behuizing 15° naar links of naar rechts wordt gekanteld.

BELANGRIJKE VEILIGHEIDSINSTRUCTIES

Wanneer gebruik wordt gemaakt van elektrische producten, vooral in aanwezigheid van kinderen, moeten altijd elementaire veiligheidsmaatregelen worden genomen. Lees alle instructies goed door voordat u dit product gaat gebruiken. Belangrijke informatie wordt aangegeven met behulp van de volgende termen:

GEVAAR– Dringende veiligheidsinformatie met betrekking tot gevaren die ernstig letsel of de dood tot gevolg kunnen hebben.

WAARSCHUWING– Belangrijke veiligheidsinformatie met betrekking tot gevaren die ernstig letsel tot gevolg kunnen hebben.

VOORZICHTIG– Informatie ter voorkoming van schade aan het product.

OPMERKING– Informatie waarop u bijzonder acht moet slaan.

LEES ALLE INSTRUCTIES DOOR VOORDAT U HET PRODUCT GEBRUIKT.

BEWAAR DEZE INSTRUCTIES

GEVAAR

Doe het volgende om het risico van elektrocutie te beperken:

1. Gebruik het apparaat niet terwijl u in bad zit.
2. Plaats of bewaar het product niet op een plek waar het in een badkuip of gootsteen kan vallen.
3. Leg of dompel het apparaat niet in water of enig andere vloeistof.
4. Raak een product dat in water is gevallen niet aan. Verwijder onmiddellijk het netsnoer.

⚠ WAARSCHUWING

Doe het volgende op de kans op brandwonden, elektrocutie, brand of persoonlijk letsel te beperken:

1. Nauw toezicht is noodzakelijk wanneer dit product wordt gebruikt door of in aanwezigheid van kinderen of gehandicapten.
2. Gebruik dit product alleen voor het doel waarvoor het is bestemd (zoals beschreven in deze handleiding).
3. Gebruik dit product nooit als:
 - a. Het netsnoer of de stekker beschadigd is.
 - b. Het niet correct werkt.
 - c. Het gevallen of beschadigd is.
 - d. Het in het water terecht is gekomen.

Stuur het product terug naar een geautoriseerd servicecentrum van Sunrise Medical voor onderzoek en reparatie.

4. Zorg ervoor dat het netsnoer niet in aanraking komt met hete oppervlakken.

5. Gebruik het product nooit terwijl u slaapt of als u slaperig bent.

OPMERKING– Het model 7305D is niet af fabriek uitgerust met een interne oplaadbare batterij. Deze kan apart worden aangeschaft bij en geïnstalleerd door uw Sunrise Medical-leverancier. Het model 7305P is wél van fabriekswege uitgerust met een interne oplaadbare batterij en alle informatie met betrekking tot het gebruik van de batterij in dit handboekje is dan ook van toepassing op dit apparaat.

⚠ GEVAAR

De DeVilbiss afzuigenheid is een vacuüm afzuigapparaat dat is ontworpen voor het opzuigen van niet ontvlambare vloeistoffen in uitsluitend medische toepassingen. Onjuist gebruik tijdens medische toepassingen kan persoonlijk letsel of de dood tot gevolg hebben. Voor alle medische toepassingen geldt:

1. Alle afzuigactiviteiten dienen strikt te worden uitgevoerd volgens de procedures die zijn opgesteld door een bevoegd medisch specialist.
2. Sommige hulpstukken of accessoires passen mogelijk niet op de meegeleverde slang. Alle hulpstukken of accessoires moeten vóór gebruik zorgvuldig worden gecontroleerd om er zeker van te zijn dat deze goed passen.

GEBRUIK IN HET BUITENLAND

Het model 7305P is uitgerust met een schakelbare voeding die het apparaat in staat stelt te werken bij elke willekeurige wisselspanning (100-240 V wisselspanning, 50/60 Hz). Er moet hierbij echter wel een netsnoer worden gebruikt dat geschikt is voor verschillende voltages.

OPMERKING– Controleer vóór gebruik of het netsnoer geschikt is voor verschillende voltages.

INLEIDING

Uw DeVilbiss afzuigenheid is een compact, draagbaar medisch afzuigapparaat dat is ontworpen met het oog op betrouwbaarheid. Vanwege het compacte formaat, het geringe gewicht en de toepassing van gelijkstroom, is de DeVilbiss afzuigenheid bij uitstek geschikt voor gebruik thuis, in combinatie met de optionele gelijkstroomkabel of, als uw model is voorzien van een interne oplaadbare batterij, op een willekeurige locatie onderweg. Ook hebt u de keuze uit twee opvangflessen, namelijk de standaard 800 ml wegwerpfles of de optionele 1.200 ml herbruikbare fles. Door de aanbevolen bedienings- en onderhoudsprocedures te volgen die in dit instructiehandboekje worden beschreven, kunt u de levensduur van dit product maximaliseren.

BELANGRIJKSTE ONDERDELEN VAN DE DEVILBISS MODEL 7305 AFZUIGENHEID

(zie de afbeelding)

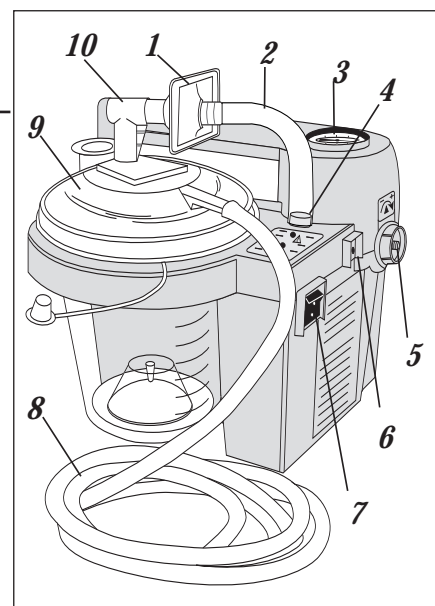
Omschrijving

- | | |
|----|---|
| 1 | Bacteriefilter (niet steriel) |
| 2 | Aansluitslang van 10cm doorsnede |
| 3 | Vacuümmeter |
| 4 | Aansluiting voor slang |
| 5 | Vacuümregelknop |
| 6 | Aan/uit-schakelaar |
| 7 | Gelijkstroomingang (aan zijkant) |
| 8 | 1,8m Patiëntslang |
| 9 | 800cc flessenhouder met sluiting (vlotterafsluiter ingebouwd in sluiting) |
| 10 | 90° Aansluitelleboog |
| | Adapter voor schakelmodus (niet afgebeeld) |
| | Interne oplaadbare batterij (niet afgebeeld) |
| | Draagkoffer (niet afgebeeld) |

Van fabriekswege beschikbaar op:

- | | |
|---------------|---|
| Alle modellen | |
| Alle Modellen | -- Door FDA goedgekeurde siliconen slang (interne diameter 8 mm). |
| Alle modellen | Gebruik alleen gespecificeerde aansluitslangen voor vervanging. |
| Alle modellen | |
| Alle modellen | -- 1,8 m door FDA goedgekeurde PVC-slang met aansluitingen (interne diameter 8 mm). |
| Alle modellen | Gebruik alleen gespecificeerde patiëntslangen voor vervanging. |
| Alle modellen | |
| Alle modellen | |
| Model 7305P | |
| Model 7305P | |

OPMERKING– Deze eenheid voldoet aan de normen voor elektromagnetische compatibiliteit zoals deze zijn gedefinieerd in de bijgesloten conformiteitsverklaring.



ACCESSOIRES/VERVANGINGSONDERDELEN

De volgende items kunnen apart worden aangeschaft als accessoires of vervangingsonderdelen voor uw DeVilbiss afzuigeenheid model 7305:

Onderdeelnr.	Omschrijving
6305D-611	1,8m Patiëntslang
7304D-619	Kabel voor 12V gelijkstroom (1 stuks)
7305D-601	1200 ml Herbruikbare verzamelfles (16 stuks)
7305D-602	800 ml Verzamelfles voor eenmalig gebruik (48 stuks)
7305P-613	Adapter/lader voor overschakeling van wisselstroom op gelijkstroom
7305P-614	Krachtige oplaadbare batterij voor 12V gelijkstroom (1 stuks)
7305D-606	Draagkoffer
7305D-607	Reservemeter
7305D-608	Bacteriefilter (niet steriel) (pak van 12 stuks)
7305P-610	Printplaat (model 7305P en omgebouwde apparaten met batterijvoeding)
7305D-610	Printplaat (model 7305D)
7305P-620	Inbouwset voor krachtige batterij (batterij, printplaat 7305P-610 en batterijhouder)
7304D-636	Testfitting voor vacuümmeter
099HD-614	Netsnoer goedgekeurd voor ziekenhuisgebruik (120 V wisselstroom)
7305D-603	Pakket met filter, 800ml verzamelfles, elleboogstuk en slang
7305D-604	Pakket met 1200ml verzamelfles
6710D-609	Netsnoer voor USA
7305P-631	Netsnoer voor continentaal Europa

INSTELLING

1. Sluit het ene uiteinde van de slang van 10 mm doorsnee aan op de daarvoor bestemde aansluiting en het andere uiteinde van de slang op de bacteriefilter. Zorg ervoor dat de open zijde van de bacteriefilter in de richting van de elleboog en de fles wijst bij het (opnieuw) installeren. Draai de filter niet om.
2. De bacteriefilter moet nu worden aangesloten op het elleboogstuk van 90° en het andere uiteinde van het elleboogstuk op de bovenkant van de sluiting van de verzamelfles, waar de tekst <Vacuum> staat aangegeven.
3. De 1,8m lange patiëntslang moet aangesloten op de sluiting van de flessenhouder op de aansluiting met de tekst <Patient>.
4. Controleer vóór gebruik of alle verbindingen goed zijn en niet lekken.
5. Controleer of de juiste afzuigsterkte is ingesteld op het apparaat voordat u begint met afzuigen.

BEDIENING VAN DE DEVILBISS MODEL 7305 AFZUIGEEENHEID

Controleer, voordat u de eenheid aansluit op de wisselstroomadapter of een optionele kabel voor 12V gelijkstroom, eerst of de aan/uit-schakelaar aan de zijkant van het apparaat uit ("Off") staat. Selecteer de gewenste voedingsbron.

Uitleg lampjes:

L1 - Groen – Externe voeding vanuit wisselstroombron of via gelijkstroomkabel. Verlicht als externe voeding actief is.

L2 - Geel – De batterij wordt opgeladen. Het lampje gaat uit als de batterij volledig is opgeladen.

L3 - Rood – De batterij is bijna leeg. Zoek een andere voedingsbron en laad de batterij zo snel mogelijk weer op als dit lampje continu aan blijft.

GEBRUIK VAN WISSELSTROOM– Sluit de kleine connector van de wisselstroomadapter aan op de gelijkstroomingang aan de zijkant van het apparaat. Sluit het andere uiteinde aan op een geaard stopcontact.

OPMERKING– De adapter kan worden warm worden gedurende het laden of wanneer het apparaat in gebruik is. Dit is normaal.

GEBRUIK VAN 12V GELIJKSTROOM– (bijvoorbeeld via de sigarettenaansteker van een auto). Sluit de kleine connector van de gelijkstroomkabel aan op de gelijkstroomingang aan de zijkant van het apparaat. Sluit de grote connector aan op de 12V gelijkstroomingang (sigarettenaansteker) van de auto.

GEBRUIK VAN BATTERIJVOEDING– Controleer of uw apparaat is uitgerust met een interne oplaadbare batterij. Deze wordt van fabriekswege geïnstalleerd op modellen 7305P model of door de leverancier geïnstalleerd op modellen 7305D (als optionele voorziening). Laad de batterij 10 tot 17 uur op, zoals aangegeven in de sectie 'De batterij opladen', om er zeker van te zijn dat de interne batterij correct werkt. Als u een interne oplaadbare batterij wilt gebruiken als voeding voor het apparaat, moet u ervoor zorgen dat er geen externe voedingsbronnen zijn aangesloten op de gelijkstroomingang aan de zijkant van de eenheid.

Nadat u de voedingsbron hebt geselecteerd, hoeft u alleen de eenheid aan te zetten ("On") met behulp van de aan/uit-schakelaar aan de zijkant van het apparaat. Het voedingslampje (aan de bovenzijde van het apparaat) geeft aan welke voedingsbron wordt gebruikt door continu te blijven branden als een externe voedingsbron is aangesloten.

 **WAARSCHUWING**

Als het apparaat niet wordt aangesloten op een externe voedingsbron of als de batterij niet meteen opnieuw wordt opgeladen, blijft het lampje Batterij bijna leeg branden en worden de prestaties van het apparaat snel minder. Schakel meteen over op een andere stroombron om onderbreking van de afzuiging te voorkomen.

Pas het vacuümniveau aan van 80 tot 550 mm Hg door aan de vacuümregelknop aan de zijkant van het apparaat te draaien (naar rechts om de vac-

uïminstelling te verhogen en naar links om de vacuüminstelling te verlagen). Het gewenste vacuümniveau kan worden ingesteld aan de hand van de meter aan de bovenzijde van het apparaat, in de buurt van de hendel. Als u een nauwkeurige meterstand wilt, blokkeert u het patiëntuiteinde van de slang of sluit u de verzamelfles af zodat de meter een stabiele vacuümwaarde kan weergeven.

OPMERKING– De meter dient uitsluitend ter controle. Als de eenheid valt of een zware klap krijgt, moet worden gecontroleerd of de meter nog nauwkeurig werkt.

De uitzuig bij de patiënt wordt automatisch onderbroken zodra het vloeistofniveau de vlotterafsluiter aan de onderzijde van de sluiting van de verzamelfles bereikt.

OPMERKING– Transporteer het apparaat altijd met de vacuümregelknop volledig naar rechts gedraaid voor het geval iemand het apparaat laat vallen.

VOORZICHTIG– Wanneer de automatische vlotterafsluiter wordt ingeschakeld, moet de verzamelfles leeg worden gemaakt. Verdergaan met afzuigen kan tot schade aan de vacuümpomp leiden.

VOORZICHTIG– Als vloeistof wordt teruggezogen in het apparaat, moet onderhoud worden uitgevoerd omdat anders de vacuümpomp beschadigd kan raken.

DE BATTERIJ OPLADEN

Apparaten van het model 7305P zijn van fabriekswege uitgerust met een oplaadbare batterij. Deze eenheden zijn voorzien van een lampje dat aangeeft als de batterij bijna op is en van een lampje dat aangeeft dat de batterij wordt opgeladen. Apparaten van het model 7305D zijn niet standaard uitgerust met een oplaadbare batterij. Controleer bij uw leverancier of uw eenheid achteraf is voorzien van een oplaadbare batterij. Sluit, nadat u hebt vastgesteld dat uw apparaat is uitgerust met een interne oplaadbare batterij, de eenheid aan op de juiste wissel- of gelijkstroombron met behulp van de wisselstroomadapter of de gelijkstroomkabel. Het groene lampje voor de externe voeding gaat branden. Het gele oplaadlampje gaat branden wanneer de batterij wordt opgeladen. Controleer of dit brandt wanneer het opladen begint. Als de batterij bijna vol is, bestaat de kans dat het gele lampje een aantal minuten lang staat te knipperen. Dat is normaal.

OPMERKING– Een lege batterij heeft 10-17 uur (afhankelijk van hoe leeg de batterij is) nodig voordat deze weer volledig is opgeladen.

OPMERKING– Sluit de wisselstroomadapter niet aan op een uitgang die is voorzien van een schakelaar om er zeker van te zijn dat de stroomvoorziening op het apparaat nooit wordt onderbroken.

OPMERKING– Sluit de gelijkstroomkabel niet aan op een stopcontact dat continu onder spanning staat.

OPMERKING– Bij een vacuümniveau van nul (vrije doorstroom) kunnen apparaten van het model 7305P ongeveer 60 minuten lang ononderbroken werken op een volledig opgeladen batterij.

OPMERKING– Als de eenheid gedurende langere tijd niet wordt gebruikt, moet de batterij minimaal één keer per zes maanden opnieuw worden opgeladen.

VOORZICHTIG– Als de batterij volledig wordt ontladen, leidt dit tot beperking van de levensduur. Werk niet langer dan enkele minuten met het apparaat als het lampje brandt dat aangeeft dat de batterij bijna leeg is. Laad de batterij zo snel mogelijk weer op.

OPMERKING– Tijdens het opladen van de batterij, blijft het oplaadlampje branden. Als het opladen niet lukt, controleert u eerst of het model dat u gebruikt, is voorzien van een batterij voordat u het apparaat terugstuurt naar uw geautoriseerde Sunrise Medical-leverancier of naar Sunrise Medical. Controleer of het oplaadlampje gaat branden als een externe voedingsbron wordt gebruikt en de schakelaar uit staat ("Off").

OPMERKING– Eenheden die zijn uitgerust met een interne oplaadbare batterij bevatten een verzegelde loodzuurbatterij die moet worden gerecycled.

REINIGINGSINSTRUCTIES

Verzamelfles:

1. Schakel de eenheid uit met behulp van de aan/uit-knop en zorg ervoor dat het vacuüm wegvalt. Koppel de voedingsbron los van de gelijkstroomingang op de eenheid.
2. Verwijder de sluiting van de verzamelfles, terwijl deze zich nog in de houder bevindt. De fles kan nu uit de houder worden verwijderd en leeggemaakt.

OPMERKING– De verzamelfles moet worden leeggemaakt en gereinigd na elk gebruik. De 800 ml verzamelfles voor eenmalig gebruik en de bijbehorende sluiting zijn bedoeld voor gebruik door slechts één patiënt.

3. Verzamelflessen en bijbehorende sluitingen moeten na elk gebruik grondig worden gereinigd. Hiervoor kunt u één van de volgende methoden gebruiken:

Alle Verzamelfles:

- Was het apparaat af met een oplossing van warm water en vaatwasmiddel en spoel het schoon met warm water uit de kraan. Was het apparaat vervolgens af met een oplossing van één deel azijn op drie delen warm water. Spoel het schoon met warm water uit de kraan en laat het drogen.

Herbruikbare 1200 ml verzamelfles:

- Was het apparaat af met een oplossing van warm water en vaatwasmiddel en spoel het schoon met warm water uit de kraan. Was het apparaat vervolgens met ontsmettingsalcohol en laat het drogen.
- Was het apparaat af met een oplossing van warm water en vaatwasmiddel en spoel het schoon met warm water uit de kraan. Was het apparaat vervolgens met een in de handel verkrijgbaar desinfecterend, bacterie- of kiemdodend middel en volg daarbij nauwkeurig de instructies en verdunningsvoorschriften van de fabrikant.
- Maak de 1200 ml autoclaveerbare fles met sluiting, pakking, sluitring, vlottergeleider en vlotter zorgvuldig schoon met een milde zeepoplossing. Spoel de onderdelen goed af met schoon water en laat ze drogen. Plaats de onderdelen als volgt in de autoclaaf zonder dat ze elkaar raken:

- Fles met opening naar beneden.
- Vlotter en vlottergeleider rechtop met het grote uiteinde omlaag.
- De pakking en de sluitring kunnen vóór het autoclavieren in een afsluitbaar zakje worden gedaan.

Autoclaveer gedurende 3 tot 5 minuten bij 132 °C.

In plaats van sterilisatie via autoclavieren kunnen de bovenstaande onderdelen ook worden ondergedompeld in een oplossing van geactiveerd dialdehyde.

Uitzuigenheid

1. Zet de aan/uit-schakelaar uit ("Off") en koppel de DeVilbiss afzuigenheid los van alle externe voedingsbronnen.
2. Veeg de behuizing van de verzamelfles af met een schone doek en een in de handel verkrijgbaar desinfecterend, bacterie- of kiemdodend middel.

VOORZICHTIG– Dompel het apparaat niet onder in water om schade aan de vacuümpomp te voorkomen.

Slangen:

1. Koppel de slangen los van het apparaat.
2. De slangen moeten na elk gebruik zorgvuldig worden uitgespoeld met warm water uit de kraan, gevolgd door een oplossing van één deel azijn op drie delen warm water.
3. Spoel de slangen schoon met warm water uit de kraan en laat deze drogen.
4. Houd de buitenkant van de slangen schoon door deze af te vegen met een schone, vochtige doek.

Draagkoffer:

1. Veeg de koffer af met een schone doek die is bevochtigd met een schoonmaakmiddel en/of desinfecterend middel.

ONDERHOUD

Controleer de afzuigslang en verzamelfles vóór elk gebruik op lekken, scheuren, enz.



GEVAAR

Er bestaat een risico van elektrische schokken. Probeer niet de behuizing te openen of te verwijderen. Er bevinden zich binnenin het apparaat geen onderdelen waar de gebruiker service op kan uitvoeren. Als service is vereist, stuurt u het apparaat terug naar een gekwalificeerde Sunrise Medical-leverancier of een geautoriseerd servicecentrum. Wanneer het apparaat wordt geopend of onjuist wordt gebruikt, komt de garantie te vervallen.

De filter vervangen:

1. Vervang de bacteriefilter na een overstrooming of elke twee maanden.
2. Verwijder de filter door deze los te koppelen van de afzuigenheid en de aansluiting op de sluiting van de verzamelfles.
3. Vervang de filter door een schone bacteriefilter (niet steriel) van DeVilbiss (7305D-608 - 12 stuks per pak) en sluit de filter aan op de afzuigenheid en de sluiting. Extra filters zijn verkrijgbaar bij uw geautoriseerde Sunrise Medical-leverancier.

OPMERKING– Vervang de bacteriefilter niet door enig ander materiaal. Anders bestaat de kans dat u last krijgt van verontreinigingen of slechte prestaties van het apparaat. Gebruik daarom alleen filters van DeVilbiss®.

PROBLEEM OPLOSSEN

OPMERKING– Uw DeVilbiss afzuigenheid bevatten geen onderdelen waarop de gebruiker service kan uitvoeren. Als u van mening bent dat uw apparaat niet goed werkt, controleert u of dit één van de onderstaande mogelijke oorzaken heeft, **VOORDAT U HET APPARAAT TERUGSTUURT NAAR DE LEVERANCIER VAN MEDISCHE APPARATUUR VOOR THUISGEBRUIK WAAR U HET APPARAAT HEBT AANGESCHAFT OF NAAR Sunrise Medical:**

Probleem	Actie
Apparaat werkt niet. (Groene externe voedingslampje moet branden als voedingsbron is ingeschakeld.)	<ol style="list-style-type: none"> 1. Controleer de voedingsbronnen en aansluitingen. 2. Controleer of het stopcontact werkt door er een lamp op aan te sluiten. 3. Controleer, als u een interne batterij wilt gebruiken, op uw apparaat is voorzien van een batterij. 4. Controleer, als een batterij is geïnstalleerd, of deze volledig is opgeladen."
De pomp draait, maar er ontstaat geen vacuüm.	<ol style="list-style-type: none"> 1. Controleer of alle slangen correct zijn aangesloten. 2. Controleer de aansluitingen van de slangen op breuken of lekkages. 3. Zorg ervoor dat de vlotterafsluiter niet is ingeschakeld. 4. Controleer de fles op lekken of scheuren.
Geringe vacuümwerking.	<ol style="list-style-type: none"> 1. Gebruik de vacuüminstelknop om het vacuümniveau te verhogen. 2. Controleer het systeem op lekken. 3. Duw op de vacuüminstelknop en laat deze vervolgens los.
De batterij kan niet worden opgeladen. (Het oplaadlampje zou moeten branden als de batterij is aangesloten tijdens het opladen.)	<ol style="list-style-type: none"> 1. Controleer of uw apparaat is uitgerust met een interne batterij door contact op te nemen met de leverancier van uw Sunrise Medical-apparatuur. 2. Controleer of het oplaadlampje brandt. 3. Controleer de elektrische aansluitingen tijdens het opladen. 4. Controleer of het stopcontact werkt door er een lamp op aan te sluiten.

SPECIFICATIES/CLASSIFICATIES**Afmetingen****H x B x D cm**

Modellen 7305P & 7305D 22,9 x 17,8 x 20,3

Gewicht**kg**

Model 7305D 1,7

Model 7305P 2,9

Elektrische vereisten 100-240 V AC 50/60 Hz .75 A max; 12 V DC, 33 W max**Interne oplaadbare batterij**

Model 7305P In fabriek geïnstalleerd

Model 7305D Niet in fabriek geïnstalleerd (door leverancier aan te brengen optie)

Vacuümbereik

Modellen 7305P & 7305D 80 tor 550 mm Hg

Luchtstroom bij pompinlaat: Standaard 27 LPM (vrije doorstroom) (mogelijk minder bij gebruik interne batterij)

Capaciteit verzamelfles

Modellen 7305 D & P 800 ml (cc) wegwerpfles

Modellen 7305 D & P - Optioneel 1200 ml (cc) herbruikbare fles

Omgevingscondities

Bereik bedrijfstemperatuur 0°C - 40°C

Relatieve luchtvochtigheid in bedrijf 0-95%

Atmosferische druk in bedrijf 70 kPa - 106 kPa

Temperatuurbereik bij opslag en transport, modellen -40°C tot 70°C

Relatieve luchtvochtigheid bij opslag en transport 0-95%

Atmosferische druk bij opslag en transportf 50 kPa - 106 kPa

Garantie

Model 7305P Twee jaar beperkt, met uitzondering van interne batterij en verzamelfles

Model 7305D Twee jaar beperkt, met uitzondering van verzamelfles

Interne batterij 90-dagen

Goedkeuringen

Modellen 7305D & 7305P IEC 601-1; CAN/CSA-C22.2 No. 601.1-M90; UL 60601-1, EN 60601-1-2

7305P voldoet aan RTCA/D-160D DO-160D - sectie 21 Categorie M

Uitsluitend voor gebruik met batterij Gebruik in luchtvaart

Apparaatclassificaties

Ten aanzien van bescherming tegen elektrische schokken Klasse I en intern aangedreven

Mate van bescherming tegen elektrische schokken Type BF - Toegepaste onderdelen

Mate van bescherming tegen binnendringen van vloeistoffen IPX2 en normale voeding

Gebruiksmodus Intermitterende werking: 30 minuten aan, 30 minuten uit

Apparaat niet geschikt voor gebruik bij een ontvlambaar mengsel van anesthesiemiddelen en lucht, zuurstof of lachgas.

ISO-classificatie

Alleen model 7305P - Elektrisch aangedreven medische afzuigapparatuur voor mobiel gebruik volgens ISO 10079-1: 1991

Hoge doorstroom/Krachtig vacuüm

Model 7305D - Elektrisch aangedreven medische afzuigapparatuur voor niet-mobiel gebruik volgens ISO 10079-1: 1991

Op verzoek zal Sunrise Medical schakeldiagrammen, onderdeellijsten, enz. ter beschikking stellen.

TWEE JAAR BEPERKTE GARANTIE

Voor de compressor van de DeVilbiss® afzuigenheid modellen 7305P & 7305D (exclusief interne oplaadbare batterij) geldt een garantie van twee jaar op productie- en materiaalfouten, vanaf de datum van aanschaf. Voor de interne oplaadbare batterij geldt een garantietermijn van 90 dagen. Eventuele defecte onderdelen zullen, naar keuze van Sunrise Medical, worden gerepareerd of vervangen mits het apparaat gedurende die periode niet onjuist is gebruikt of is gerepareerd door onbevoegden. Zorg ervoor dat eventuele storingen niet het gevolg zijn van het feit dat het apparaat onvoldoende is schoongemaakt of dat de instructies niet zijn uitgevoerd. Als reparatie noodzakelijk is, neemt u contact op met uw geautoriseerde Sunrise Medical-leverancier of de serviceafdeling van Sunrise Medical voor nadere instructies: **Verenigde Staten 800- 333- 4000**, Canada 1-800-263-3390, Europa 44-138-444-6688.

OPMERKING– Deze garantie voorziet niet in het beschikbaar stellen van een vervangend apparaat, het vergoeden van de gemaakte kosten bij het huren van een apparaat wanneer dit apparaat wordt gerepareerd of het vergoeden van arbeidskosten bij het repareren of vervangen van defecte onderdelen.

ER WORDT GEEN ANDERE EXPLICIETE GARANTIE GEBODEN. IMPLICIETE GARANTIES, WAARONDER DE GARANTIE VAN VERHANDELBAARHEID EN GESCHIKTHEID VOOR EEN BEPAALD DOEL, GELDEN UITSLUITEND VOOR DE GELDIGHEIDSPERIODE VAN DE EXPLICIETE GARANTIE EN ALLE IMPLICIETE GARANTIES WORDEN, VOORZOVER TOEGESTAAN DOOR DE WET, UITGESLOTEN. DIT VERTEGENWOORDIGT HET ENIGE RECHTSMIDDEL EN DE AANSPRAKELIJKHEID VOOR ALLE GEVOLG- EN INDIRECTE SCHADE OP BASIS VAN ENIGE GARANTIE WORDT UITGESLOTEN, VOORZOVER UITSLUITING HIERVAN WORDT TOEGESTAAN DOOR DE WET. IN SOMMIGE STATEN IS BEPERKING VAN DE GELDIGHEIDSDUUR VAN EEN IMPLICIETE GARANTIE OF VAN DE BEPERKING OF UITSLUITING VAN GEVOLG- EN INDIRECTE SCHADE NIET TOEGESTAAN, ZODAT DE BOVENGENOEMDE BEPERKING OF UITSLUITING MOGELIJK NIET OP U VAN TOEPASSING IS.

Deze garantie biedt u specifieke wettelijke rechten. Bovendien bestaat de kans dat u nog andere rechten hebt, die van land tot land kunnen verschillen.

Opmerking van de fabrikant

Hartelijk dank voor het aanschaffen van de DeVilbiss® Model 7305 afzuigenheid. Wij willen graag dat u tevreden bent over onze producten.

Als u vragen of opmerkingen hebt, kunt u deze sturen naar het adres op de achterkaft.

Voor service kunt u contact opnemen met uw geautoriseerde Sunrise Medical-leverancier:

Tel: _____
Aankoopdatum: _____
Serienummer: _____

CONFORMITEITSVERKLARING

Producent: Sunrise Medical
Adres: Respiratory Products Division
100 DeVilbiss Drive
Somerset, PA, 15501-2125 Verenigde Staten

Productomschrijving: DeVilbiss® Afzuigenheid
Modeltype: 7305D & 7305P

Hierbij verklaren wij dat de bovengenoemde producten voldoen aan de vereisten van EG-norm 93/42/EEC en de volgende specificaties:

Klasse: IIa, Regel 2

Toegepaste kwaliteitssystemnormen: ISO9001/ISO13485

Certificeringsorgaan RWTÜV

NDD Annex II toegepast

Toegepaste veiligheidsnormen: EN60601-1/IEC 601-1:1988 met inbegrip van A1:1991 en A2:1995
CAN/CSA 22.2 No. 601.1-M90
UL 60601-1:2003
ISO 10079-1:1991

EMC-compatibel met: EN60601-1-2 (2001) [Alle geldende normen op aanvraag beschikbaar]
EN55011 Klasse B

Uitsluitend voor gebruik met batterij: RTCA/DO-160D, Sectie 21 (Stralingsemisies), Categorie M. Voor gebruik in de luchtvaart
Geautoriseerde vertegenwoordiger: Sunrise Medical Ltd
Sunrise Business Park
High Street
Wollaston, West Midlands DY8 4PS
Engeland
44-138-444-6688



0044



Sunrise Medical
Respiratory Products Division
100 DeVilbiss Drive
Somerset, Pennsylvania 15501 USA
814-443-4881

Sunrise Medical Canada, Inc.
237 Romina Drive, Unit 3
Concord, Ontario L4K 4V3
CANADA
905-660-2459

Sunrise Medical Ltd.
Sunrise Business Park
High Street
Wollaston, West Midlands DY8 4PS
ENGLAND
44-138-444-6688

Sunrise Medical Benelux
Pascalbaan 3
Nieuwegein 3439 MP
NETHERLANDS
31-3060-82-100

Sunrise Medical Pty. Limited
15 Carrington Road, Unit 7
Castle Hill NSW 2154
AUSTRALIA
61-2-9899-3144

Sunrise Medical
Division Respiratoire
13 Rue de la Painguetterie
37390 Chanceaux / Choisille
FRANCE
33-247-55-44-00

Sunrise Medical
DeVilbiss Produkte
Industriegebiet
69254 Malsch/Heidelberg
GERMANY
49-7253-980-460

Sunrise Medical
Rehabsenteret
1450 Nesoddtangen
NORWAY
47-66-96-38-00